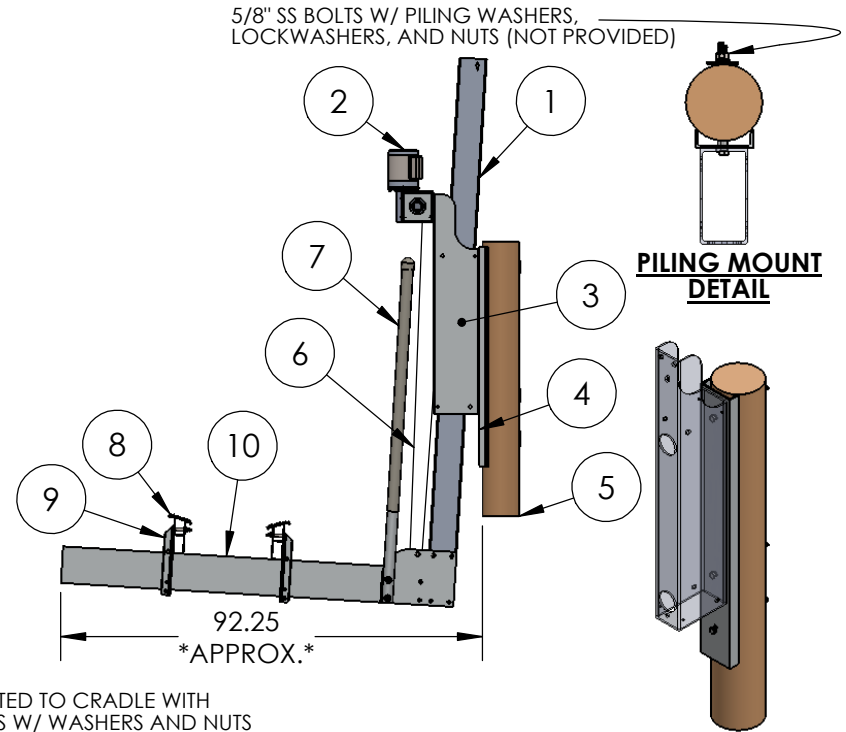
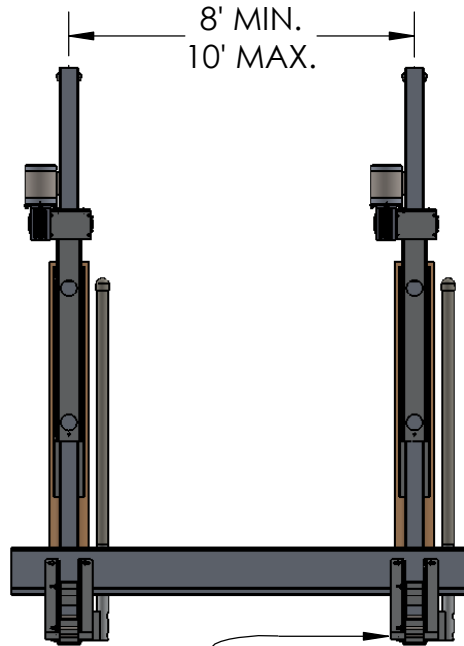
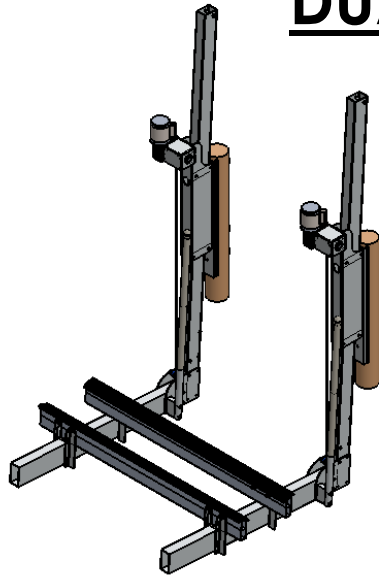


DUAL PILING/DUAL MOTOR, 3000 PWC LIFT



**PILING MOUNT
DETAIL**

**PILING MOUNT
ISO**

PAUL WELCH, INC. HAS NOT VISITED THIS JOB SITE. INFORMATION CONTAINED HERIN IS BASED ON CONTRACTOR SUPPLIED DATA AND MEASUREMENTS. PAUL WELCH, INC. SHALL NOT BE HELD RESPONSIBLE OR LIABLE IN ANY WAY FOR ERRONEOUS OR INACCURATE DATA OR PAUL WELCH, INC. SHALL BE NOTIFIED AND GIVEN OPPORTUNITY TO REEVALUATE OUR WORK UPON DISCOVERY OF ANY INACCURATE INFORMATION PRIOR TO MODIFICATION OF EXISTING FIELD CONDITIONS AND FABRICATION AND INSTALATION OF MATERIALS. ENGINEERING SEAL AFFIXED HERETO VALIDATES STRUCTURAL DESIGN AS SHOWN ONLY. USE OF THIS SPECIFICATION BY CONTRACTOR, et. al. IDENTIFIES & SAVES HARMLESS THIS ENGINEER FOR ALL COST & DAMAGES INCLUDING LEGAL FEES & APPELLATE FEES RESULTING FROM MATERIAL FABRICATION, SYSTEM ERECTION, & CONSTRUCTION PRACTICES BEYOND THAT WHICH IS CALLED FOR BY LOCAL, STATE, & FEDERAL CODES & FORM DEVIATIONS OF THIS PLAN, EXCEPT AS EXPRESSLY PROVIDED IN HEREIN, NO CERTIFICATION OR AFFIRMATIONS ARE INTENDED.

MAST CONNECTED TO CRADLE WITH (9) 1/2" SS BOLTS W/ WASHERS AND NUTS PER MAST

NOTE: ALL OTHER BOLTS NOT SPECIFICALLY NUMBERED ARE FASTENED WITH 1/2" SS BOLTS WITH WASHERS AND NUTS.

	01	02	03	04	05	06	07	08	09	10		
CAPACITY	MAST	MOTOR	MAST HOUSING ASSEMBLY	PILING MOUNT CHANNEL	PILING SIZE	CABLE	GUIDE POST	BUNKS	BUNK BRACKETS	CRADLE BEAMS	CRADLE LENGTH	
3000 LBS.	4"x6" ALUM TUBE	1 HP	1/4"x5"x10" ALUM TUBE	.225"x1.945"x6" AMERICAN NAT. STD. ALUM CHANNEL	10" DIA	1/4" DIA SS DOUBLE PULL	1.5" SCH. 40 ALUM PIPE. 1/2" SS BOLTS	2.7"x8"x12' ALUMINUM	.25"x2"x3" ALUM ANGLE	.25"x4"x8" ALUM TUBE	80"	NOTE: THIS STRUCTURE WILL WITHSTAND WIND SPEEDS UP TO 150 MPH CALCULATED PER F.B.C 2017 (6TH EDITION) AND ASCE 7-05. VESSELS SHALL NOT BE STORED ON LIFT DURING HIGH WIND EVENTS.

ENGINEERS SEAL

STRUCTURAL ENGINEERING REVIEW THE GRAVITY AND WIND LOADS FOR THIS CONSTRUCTION HAVE BEEN CALCULATED AND THE MAIN WIND FORCE RESISTING SYSTEM AND COMPONENTS AND CLADDING OF THIS BUILDING DESIGN DO COMPLY WITH FLORIDA BUILDING CODE 2017



PH: 800-325-1116
FAX: 252-747-4377
TIDETAMER.COM
P.O. BOX 1118
SNOW HILL, NC 28580

	NAME	DATE
DRAWN	ACC	5-10-19
CHECKED		
ENG APPR.		

TITLE:
3K ENGINEERING SHEET

PROPRIETARY AND CONFIDENTIAL

THE INFORMATION CONTAINED IN THIS DRAWING IS THE SOLE PROPERTY OF TIDE TAMER INDUSTRIES. ANY REPRODUCTION IN PART OR AS A WHOLE WITHOUT THE WRITTEN PERMISSION OF TIDE TAMER INDUSTRIES IS PROHIBITED.

UNLESS OTHERWISE SPECIFIED:
DIMENSIONS ARE IN INCHES
TOLERANCES:
FRACTIONAL ±
ANGULAR: MACH ± BEND ±
TWO PLACE DECIMAL ±
THREE PLACE DECIMAL ±

DO NOT SCALE DRAWING

COMMENTS:

SIZE	DWG. NO.	REV
A	ENGINEERING	

SCALE: AS NOTED

SHEET 2 OF 2