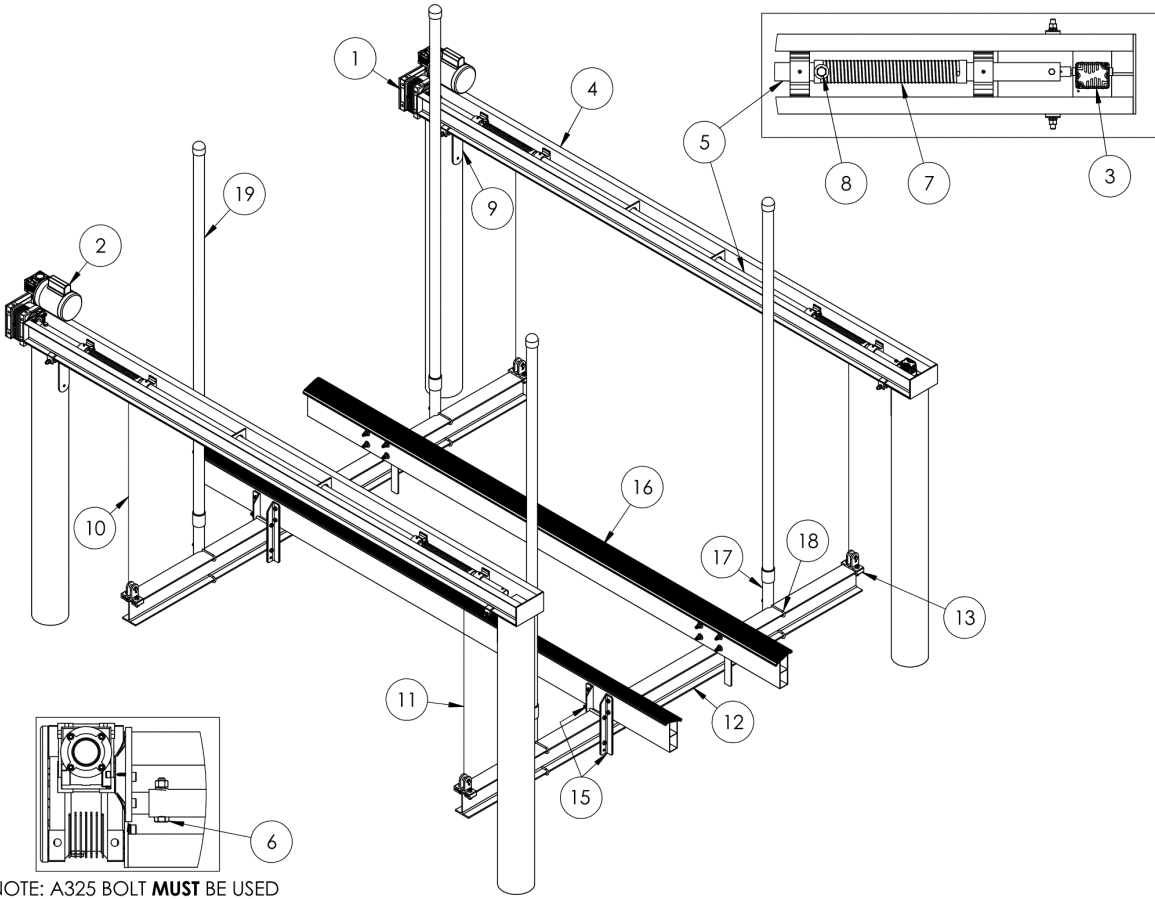
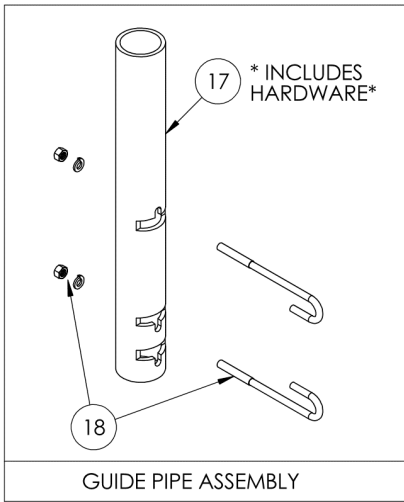


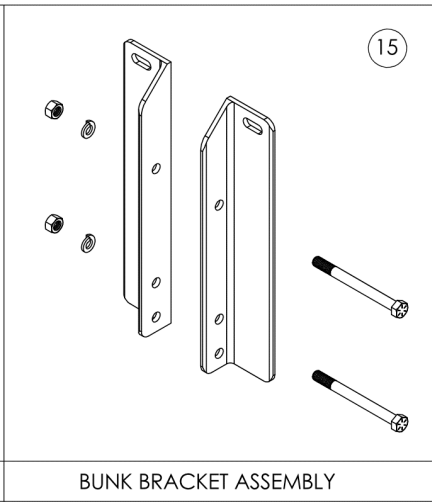
5,000 LB 4 Pole Lift



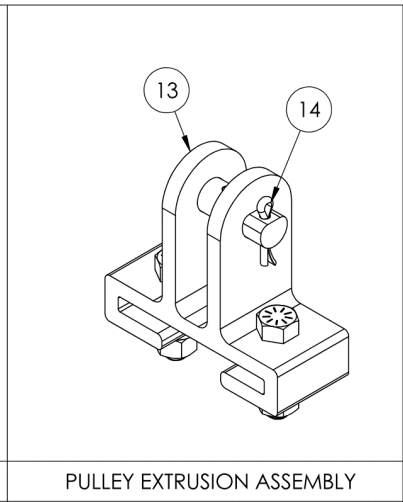
NOTE: A325 BOLT **MUST** BE USED



GUIDE PIPE ASSEMBLY



BUNK BRACKET ASSEMBLY



PULLEY EXTRUSION ASSEMBLY

Complete Lift

N/A	B 5000-DD	5,000 LB Four Piling Lift Complete W/ ALUMINUM BUNKS & Gear Drive
N/A	B-5001-DD	5,000 LB Four Piling Lift W / Smart Sings (UP TO 16') & Gear Drive

Drive Unit

1	C-1072c	Tide Tamer 40/75 Gear Drive w/ Face Plate Mounting HW & 1 ea A325 .50-20 3.25" Galv Dr Pipe Bolt w/ SS LW&Nut
---	---------	---

Motor & Wiring Harnesses

2	C-1057	Tide Tamer 3/4 HP Stainless C-Face Motor w/ Mounting Hardware (3/8" x 1" SS Bolt, FW & LW) x 4
2	AB-0049	3/4 HP SS C-Face Motor w/ 10ft Wiring Harness, Maintain Switch, GFCI, 110V Plug & HW (3/8"x1"SS Bolt,FW,&LW) x 4
2	AB-0050	3/4 HP SS C-Face Motor w/ 50ft Wiring Harness, Maintain Switch, GFCI, 110V Plug & HW (3/8"x1"SS Bolt,FW&LW) x 4
N/A	C-1022	10ft Wiring Harness w/ Maintain Switch, GFCI w/ 110V Plug
N/A	C-1023	50ft Wiring Harness w/ Maintain Switch, GFCI w/ 110V Plug

Electrical, Remotes & Limit Switches

N/A	C-1029	TEC II Remote Control
N/A	C-1032	TEC II A/C Remote Control Unit Auto Stop (Limit Switch Sold Separately)
N/A	C-1036	TEC Remote Transmitter (Old Style - Square)
N/A	C-1064	TEC Remote Transmitter Tear Drop (New Style)
3	C-1034	Rotary Limit Switch w/ Wire (30ft 18/3) & Hardware (3/8" x 3" SS Bolt, LW & Nut) & (8-32 x 3/4" SS PH Screw) x 2
N/A	C-1035	Flat Plate Limit Switch w/ Wire (10ft 18/3) & Hardware (3/8" x 3" SS Bolt, LW & Nut) & (8-32 x 3/4" SS PH Screw) x 2
N/A	C-1028	GFCI R.A. Compact 14/3 AWG Assembly
N/A	C-1026	SJT 12/5 Electric Motor Cable (PER FT, Min 10ft)

Top Beam

4	B 5003-DD	5k Top Beam Assembly ea(No Direct Gear Drive or Motor)wSS Cable,Tide Tamer#8 HW Pkg(1/2"x2"SS Lag Screw x8
4	B 5003	5k Top Beam Assembly ea(No Hatteras Drive or Motor)wSS Cable,Tide Tamer #8 HW Pkg(1/2" x2" SS Lag Screw x 8
5	MH-2224	1-1/2" Galv Drive Pipe x 141" length (for 5K - 16K Direct Gear Drive 4-Pole Lifts)
6	PC-0020	A325 Drive Pipe Bolt 1/2"-13 x 3-1/4" Galv Bolt w/ Galv Lock Nut
7	PT-0013	15-3/4" Standard Cable Winder (each)
7	MH-2251	15-3/4" Deep Groove Cable Winder (each)
7	AC-2077	Upgrade to Deep Groove Cable Winders (Set of 4)
N/A	MH-2171	Top Beam Cable Keeper (each) w/ Hardware (#8 x 3/4" TEK Screw) x 4
8	CS-0020	5/8" x 3-1/4" SS Cable Bolt (each) w/ Nylon Nut
9	PM-0023	Piling Strap Assembly (1) w/ Blocks (2) and Block Hardware (1/2" SS LW and 1/2" Galv Nut) x2
10	PT-0022	5/16" X 19-3/4ft SS Cable w/Hard eye (5k front - 7k front)
11	PT-0023	5/16" X 20ft SS Cable w/Hard eye (5k rear - 7k rear)
N/A	PT-0034	Lengthen the cradle drop by 5ft on a 5K-7K 4-Pole lift (each of the 4 cables are made 5 foot longer)
N/A	PT-0007	5/16" SS Cable Per FT

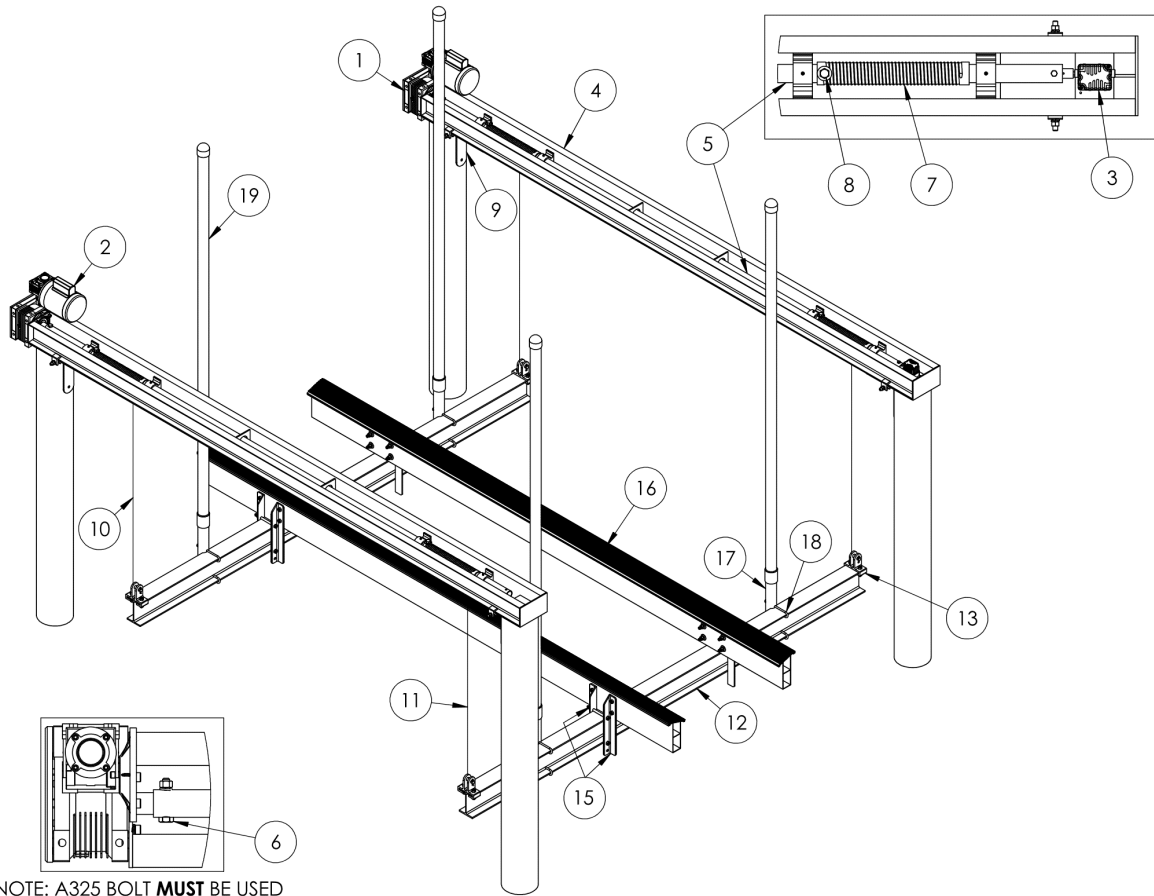
Cradle

12	B 5006	5,000 LB Complete Cradle w/ Alum Bunks (Bunks, Brackets, Guide Poles, Weights w/ all Hardware)
13	PC-0010	Pulley Extrusion (5K - 7K) w/ Hardware (1/2" x 2" SS Bolt, LW & Nut) x 2 (No Axle Shaft or Cotter Pin)
14	PC-0017	3/4" x 2-3/8" Stainless D-Shaped Axle Shaft w/ Grease Fitting and Cotter Pin, For Pulley Extrusions
15	PC-0001	Bunk Bracket 1,500 LB - 9,000 LB Lift (1 LH & RH Bracket) w/ Hardware (1/2" x 5-1/2" SS Bolt, LW, Nut) x 2
16	AC-1084	2.7" x 8" x 12ft Aluminum Cradle Bunk (each) w/ Vinyl Pad (Not Drilled, 3,000LB to 13,000LB)
N/A	PC-0021	HW Box For 15k-24k Alum Bunks & Piling Strap/Mount (1/2" x 4" SS Bolt, FW, LW & Nut) x8, (1/2" x 2" Lag Bolts)x8

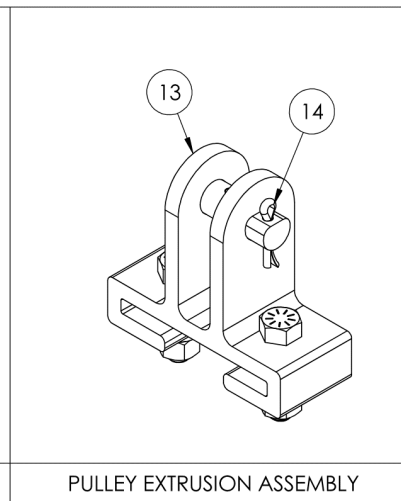
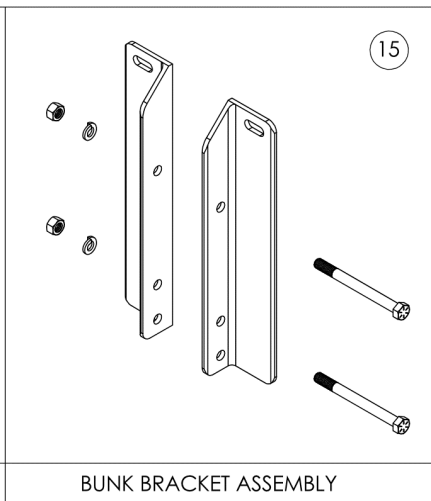
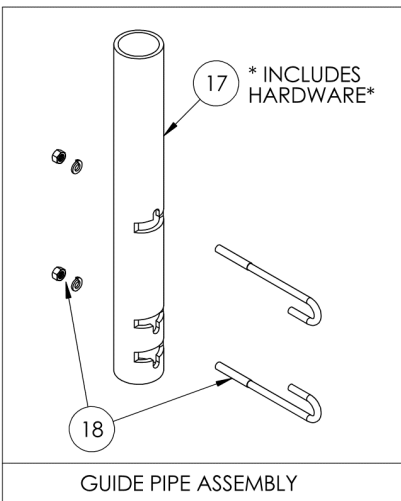
Guide Post

17	PS-0032	Guide Pipe For 1,500LB-9,000LB LIFT (each) w/Hardware (3/8"-16 x 6-7/8" SS J-Bolt, LW & Nut) x 2
18	PC-0018	Fastener Kit For Guide Pipe on 1,500 LB - 9,000 LB (1 pipe) (3/8" x 6-7/8" SS J-Bolt, LW & Nut) x 2
19	PC-0006	10ft PVC For 4 Piling Lift (each)
N/A	PC-0004	40" Guide Post Weight (each)

6,000 LB 4 Pole Lift



NOTE: A325 BOLT **MUST** BE USED



Complete Lift

N/A	B 6000-DD	6,000 LB Four Piling Lift Complete W/ ALUMINUM BUNKS & Gear Drive
-----	-----------	---

Drive Unit

1	C-1072c	Tide Tamer 40/75 Gear Dr w Face Plate, Mounting HW 1 ea A325 .50-20 X 3.25" Galv Dr Pipe Bolt w/ SS LW & Nut
---	---------	--

Motor & Wiring Harnesses

2	C-1057	Tide Tamer 3/4 HP Stainless C-Face Motor w/ Mounting Hardware (3/8" x 1" SS Bolt, FW & LW) x 4
2	AB-0049	3/4 HP SS C-Face Motor w/ 10ft Wiring Harness, Maintain Switch, GFCI, 110V Plug & HW(3/8"x1"SS Bolt FW&LW x 4
2	AB-0050	3/4 HP SS C-Face Motor w/ 50ft Wiring Harness, Maintain Switch, GFCI, 110V Plug & HW(3/8 x1"SS Bolt,FW&LW x 4
N/A	C-1022	10ft Wiring Harness w/ Maintain Switch, GFCI w/ 110V Plug
N/A	C-1023	50ft Wiring Harness w/ Maintain Switch, GFCI w/ 110V Plug

Electrical, Remotes & Limit Switches

N/A	C-1029	TEC II Remote Control
N/A	C-1032	TEC II A/C Remote Control Unit Auto Stop (Limit Switch Sold Separately)
N/A	C-1036	TEC Remote Transmitter (Old Style - Square)
N/A	C-1064	TEC Remote Transmitter Tear Drop (New Style)
3	C-1034	Rotary Limit Switch w/ Wire (30ft 18/3) & Hardware (3/8" x 3" SS Bolt, LW & Nut) & (8-32 x 3/4" SS PH Screw) x 2
N/A	C-1035	Flat Plate Limit Switch w/ Wire (10ft 18/3) & Hardware (3/8" x 3" SS Bolt, LW & Nut) & (8-32 x 3/4" SS PH Screw) x 2
N/A	C-1028	GFCI R.A. Compact 14/3 AWG Assembly
N/A	C-1026	SJT 12/5 Electric Motor Cable (PER FT, Min 10ft)

Top Beam

4	B 6003-DD	6K Top Beam Assem ea (No Direct Gear Drive or Motor SS Cable & Tide Tamer#8 HW Pk (1/2"x2"SS Lag Screws)x 8
5	MH-2224	1-1/2" Galv Drive Pipe x 141" length (for 5K - 16K Direct Gear Drive 4-Pole Lifts)
6	PC-0020	A325 Drive Pipe Bolt 1/2"-13 x 3-1/4" Galv Bolt w/ Galv Lock Nut
7	PT-0013	15-3/4" Standard Cable Winder (each)
7	MH-2251	15-3/4" Deep Groove Cable Winder (each)
7	AC-2077	Upgrade to Deep Groove Cable Winders (Set of 4)
N/A	MH-2171	Top Beam Cable Keeper (each) w/ Hardware (#8 x 3/4" TEK Screw) x 4
8	CS-0020	5/8" x 3-1/4" SS Cable Bolt (each) w/ Nylon Nut
9	PM-0023	Piling Strap Assembly (1) w/ Blocks (2) and Block Hardware (1/2" SS LW and 1/2" Galv Nut) x2
10	PT-0022	5/16" X 19-3/4ft SS Cable w/Hardeye (5k front - 7k front)
11	PT-0023	5/16" X 20ft SS Cable w/Hardeye (5k rear - 7k rear)
N/A	PT-0034	Lengthen the cradle drop by 5ft on a 5K-7K 4-Pole lift (each of the 4 cables are made 5 foot longer)
N/A	PT-0007	5/16" SS Cable Per FT

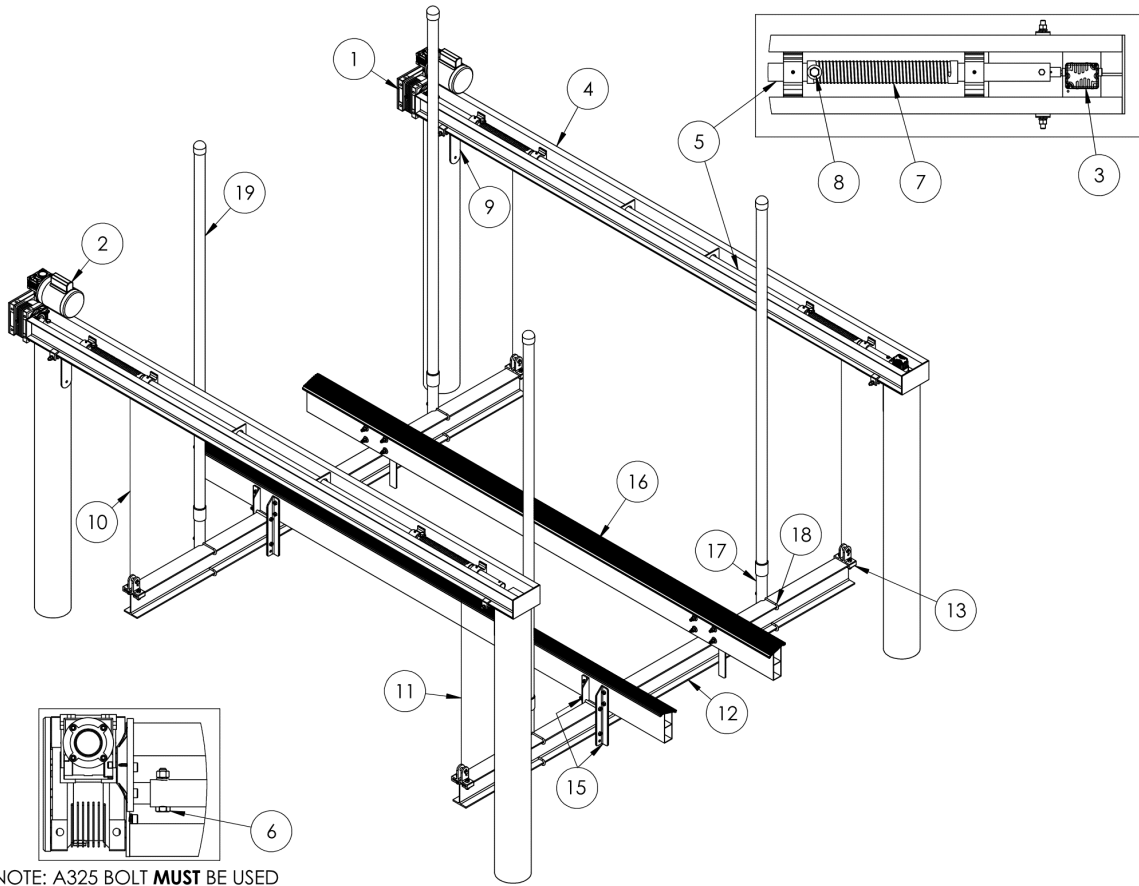
Cradle

12	B 6006	6,000 LB Complete Cradle w/ Alum Bunks (Bunks, Brackets, Guide Poles, Weights w/ all Hardware)
13	PC-0010	Pulley Extrusion (5K - 7K) w/ Hardware (1/2" x 2" SS Bolt, LW & Nut) x 2 (No Axle Shaft or Cotter Pin)
14	PC-0017	3/4" x 2-3/8" Stainless D-Shaped Axle Shaft w/ Grease Fitting and Cotter Pin, For Pulley Extrusions
15	PC-0001	Bunk Bracket 1,500 LB - 9,000 LB Lift (1 LH & RH Bracket) w/ Hardware (1/2" x 5-1/2" SS Bolt, LW, Nut) x 2
16	AC-1084	2.7" x 8" x 12ft Aluminum Cradle Bunk (each) w/ Vinyl Pad (Not Drilled, 3,000LB to 13,000LB)
N/A	PC-0021	HW Box For 15k -24k Alum Bunks & Piling Strap/Mount (1/2" x 4" SS Bolt,FW,LW & Nut)x8, (1/2" x 2" Lag Bolts) x 8

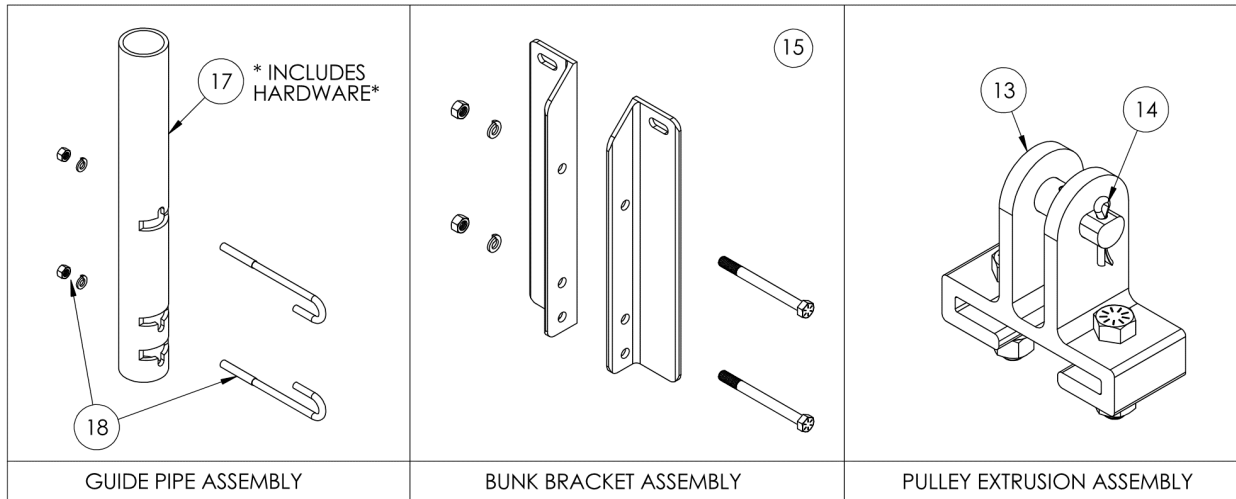
Guide Post

17	PS-0032	Guide Pipe For 1,500LB-9,000LB LIFT (each) w/Hardware (3/8"-16 x 6-7/8" SS J-Bolt, LW & Nut) x 2
18	PC-0018	Fastener Kit For Guide Pipe on 1,500 LB - 9,000 LB (1 pipe) (3/8" x 6-7/8" SS J-Bolt, LW & Nut) x 2
19	PC-0006	10ft PVC For 4 Piling Lift (each)
N/A	PC-0004	40" Guide Post Weight (each)

7,000 LB 4 Pole Lift



NOTE: A325 BOLT **MUST** BE USED



Complete Lift

N/A	B 7000-DD	7,000 LB Four Piling Lift Complete W/ ALUMINUM BUNKS & Gear Drive
N/A	B-7001-DD	7,000 LB Four Piling Lift W / Smart Sings (UP TO 16') & Gear Drive

Drive Unit

1	C-1072	Tide Tamer 40/90 Gear Dr w/ Face Plate, Mounting HW, 1 ea A325 .50-20 X 3.25" Galv Dr Pipe Bolt w/ SS LW & Nut
---	--------	--

Motor & Wiring Harnesses

2	C-1058	Tide Tamer 1 HP Stainless C-Face Motor w/ Mounting Hardware (3/8" x 1" SS Bolt, FW & LW) x 4
2	AB-0051	1 HP SS C-Face Motor w/ 10ft Wiring Harness, Maintain Switch, GFCI, 110V Plug & HW(3/8"x1"SS Bolt, FW, & LW) x 4
2	AB-0052	1 HP SS C-Face Motor w/ 50ft Wiring Harness, Maintain Switch, GFCI, 110V Plug & HW(3/8" 1" SS Bolt,FW & LW) x 4
N/A	C-1022	10ft Wiring Harness w/ Maintain Switch, GFCI w/ 110V Plug
N/A	C-1023	50ft Wiring Harness w/ Maintain Switch, GFCI w/ 110V Plug

Electrical, Remotes & Limit Switches

N/A	C-1029	TEC II Remote Control
N/A	C-1032	TEC II A/C Remote Control Unit Auto Stop (Limit Switch Sold Separately)
N/A	C-1036	TEC Remote Transmitter (Old Style - Square)
N/A	C-1064	TEC Remote Transmitter Tear Drop (New Style)
3	C-1034	Rotary Limit Switch w/ Wire (30ft 18/3) & Hardware (3/8" x 3" SS Bolt, LW & Nut) & (8-32 x 3/4" SS PH Screw) x 2
N/A	C-1035	Flat Plate Limit Switch w/ Wire (10ft 18/3) & Hardware (3/8" x 3" SS Bolt, LW & Nut) & (8-32 x 3/4" SS PH Screw) x 2
N/A	C-1028	GFCI R.A. Compact 14/3 AWG Assembly
N/A	C-1026	SJT 12/5 Electric Motor Cable (PER FT, Min 10ft)

Top Beam

4	B 7003-DD	7K Top Beam Assembly ea (No Direct Gear Drive or Motor)w/ SS CableTide/ Tamer#8 HW Pkg1/2"x2"SS Lag x8
4	B 7003	7K Top Beam Assembly ea (No Hatteras Drive or Motor)SS Cable/Tide Tamer#8 HW Pkg(1/2x2" SS Lag Screws)x8
5	MH-2224	1-1/2" Galv Drive Pipe x 141" length (for 5K - 16K Direct Gear Drive 4-Pole Lifts)
6	PC-0020	A325 Drive Pipe Bolt 1/2"-13 x 3-1/4" Galv Bolt w/ Galv Lock Nut
7	PT-0013	15-3/4" Standard Cable Winder (each)
7	MH-2251	15-3/4" Deep Groove Cable Winder (each)
7	AC-2077	Upgrade to Deep Groove Cable Winders (Set of 4)
N/A	MH-2171	Top Beam Cable Keeper (each) w/ Hardware (#8 x 3/4" TEK Screw) x 4
8	CS-0020	5/8" x 3-1/4" SS Cable Bolt (each) w/ Nylon Nut
9	PM-0023	Piling Strap Assembly (1) w/ Blocks (2) and Block Hardware (1/2" SS LW and 1/2" Galv Nut) x2
10	PT-0022	5/16" X 19-3/4ft SS Cable w/Hardeye (5k front - 7k front)
11	PT-0023	5/16" X 20ft SS Cable w/Hardeye (5k rear - 7k rear)
N/A	PT-0034	Lengthen the cradle drop by 5ft on a 5K-7K 4-Pole lift (each of the 4 cables are made 5 foot longer)
N/A	PT-0007	5/16" SS Cable Per FT

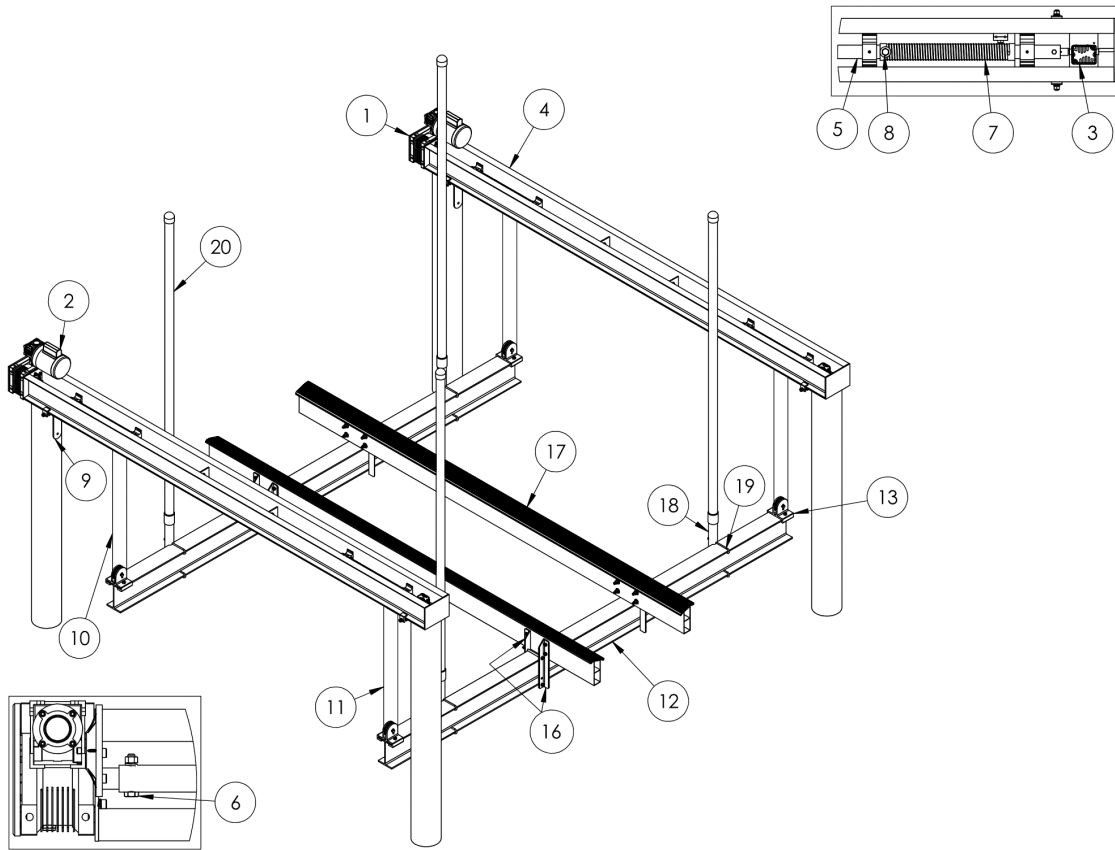
Cradle

12	B 7006	7K-8K Complete Cradle w/ Alum Bunks (Pulleys, Bunks, Brackets, Guide Poles, Weights w/ all Hardware)
13	PC-0010	Pulley Extrusion (5K - 8K) w/ Hardware (1/2" x 2" SS Bolt, LW & Nut) x 2 (No Axle Shaft or Cotter Pin)
14	PC-0017	3/4" x 2-3/8" Stainless D-Shaped Axle Shaft w/ Grease Fitting and Cotter Pin, For Pulley Extrusions
15	PC-0001	Bunk Bracket 1,500 LB - 9,000 LB Lift (1 LH & RH Bracket) w/ Hardware (1/2" x 5-1/2" SS Bolt, LW, Nut) x 2
16	AC-1084	2.7" x 8" x 12ft Aluminum Cradle Bunk (each) w/ Vinyl Pad (Not Drilled, 3,000LB to 13,000LB)
N/A	PC-0021	HW Box For 15K-24K Alum Bunks & Piling Strap/Mount (1/2" x 4" SS Bolt, FW, LW & Nut)x 8,(1/2" x 2" Lag Bolts) x 8

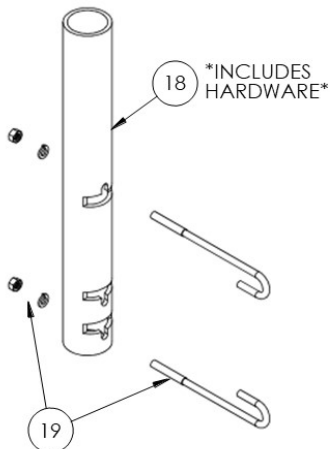
Guide Post

17	PS-0032	Guide Pipe For 1,500LB-9,000LB LIFT (each) w/Hardware (3/8"-16 x 6-7/8" SS J-Bolt, LW & Nut) x 2
18	PC-0018	Fastener Kit For Guide Pipe on 1,500 LB - 9,000 LB (1 pipe) (3/8" x 6-7/8" SS J-Bolt, LW & Nut) x 2
19	PC-0006	10ft PVC For 4 Piling Lift (each)
N/A	PC-0004	40" Guide Post Weight (each)

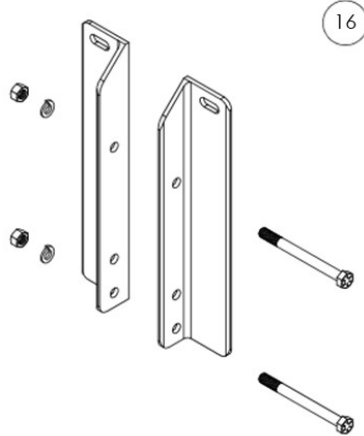
9,000 LB 4 Pole Lift



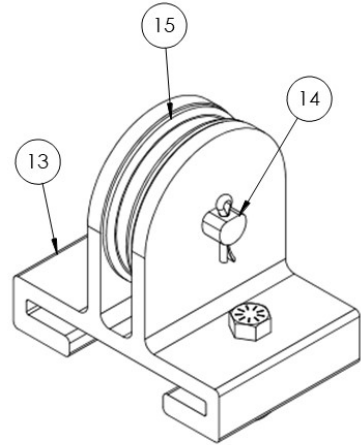
NOTE: A325 BOLT **MUST** BE USED



GUIDE PIPE ASSEMBLY



BUNK BRACKET ASSEMBLY



PULLEY EXTRUSION ASSEMBLY

Complete Lift

N/A	B 9000-DD	9,000 LB Four Piling Lift Complete W/ ALUMINUM BUNKS & Gear Drive
-----	-----------	---

Drive Unit

1	C-1072c	Tide Tamer 40/75 Gear Drive, Face Plate, Mt HW& 1 ea A325 .50-20X3.25" Galv Dr Pipe Bolt w/ SS LW & Nut
---	---------	---

Motor & Wiring Harnesses

2	C-1058	Tide Tamer 1 HP Stainless C-Face Motor w/ Mounting Hardware (3/8" x 1" SS Bolt, FW & LW) x 4
2	AB-0049	¾ HP SS C-Face Motor w/10ft Wiring Harness, Maintain Switch, GFCI, 110V Plug & HW (3/8"x1" SS Bolt, FW/LW)x4
2	AB-0050	¾ HP SS C-Face Motor w/50ft Wiring Harness, Maintain Switch, GFCI, 110V Plug & HW (3/8"x1" SS Bolt, FW/LW)x4
N/A	C-1022	10ft Wiring Harness w/ Maintain Switch, GFCI w/ 110V Plug
N/A	C-1023	50ft Wiring Harness w/ Maintain Switch, GFCI w/ 110V Plug

Electrical, Remotes & Limit Switches

N/A	C-1029	TEC II Remote Control
N/A	C-1032	TEC II A/C Remote Control Unit Auto Stop (Limit Switch Sold Separately)
N/A	C-1036	TEC Remote Transmitter (Old Style - Square)
N/A	C-1064	TEC Remote Transmitter Tear Drop (New Style)
3	C-1034	Rotary Limit Switch w/ Wire (30ft 18/3) & Hw (3/8" x 3" SS Bolt, LW & Nut) & (8-32 x 3/4" SS PH Screw) x 2
N/A	C-1035	Flat Plate Limit Switch w/ Wire (10ft 18/3) & HW (3/8" x 3" SS Bolt, LW & Nut) & (8-32 x 3/4" SS PH Screw) x 2
N/A	C-1028	GFCI R.A. Compact 14/3 AWG Assembly
N/A	C-1026	SJT 12/5 Electric Motor Cable (PER FT, Min 10ft)

Top Beam

4	B 9003-DD	9K Top Beam Assem ea(No Direct Gear Drive or Motor)SS Cable&Tide Tamer#8 HW Pkg(1/2"x2" SS Lag Screw)x8
5	MH-2224	1-1/2" Galv Drive Pipe x 141" length (for 5K - 16K Direct Gear Drive 4-Pole Lifts)
6	PC-0020	A325 Drive Pipe Bolt 1/2"-13 x 3-1/4" Galv Bolt w/ Galv Lock Nut
7	PT-0014	19" Standard Cable Winder (each)
7	PT-0032	19" Deep Groove Cable Winder (each)
7	AC-2077	Upgrade to Deep Groove Cable Winders (Set of 4)
N/A	MH-2171	Top Beam Cable Keeper (each) w/ Hardware (#8 x 3/4" TEK Screw) x 4
8	CS-0020	5/8" x 3-1/4" SS Cable Bolt (each) w/ Nylon Nut
9	PM-0023	Piling Strap Assembly (1) w/ Blocks (2) and Block Hardware (1/2" SS LW and 1/2" Galv Nut) x2
10	PT-0024	5/16" X 34-1/2ft SS Cable Cut (9k-16k Front Cable)
11	PT-0025	5/16" X 35ft SS Cable Cut (9k-16k Rear Cable)
N/A	PT-0035	Lengthen the cradle drop by 5ft on a 9K-16K 4 Pole lift (each of the 4 cables are made 10 foot longer)
N/A	PT-0007	5/16" SS Cable Per FT

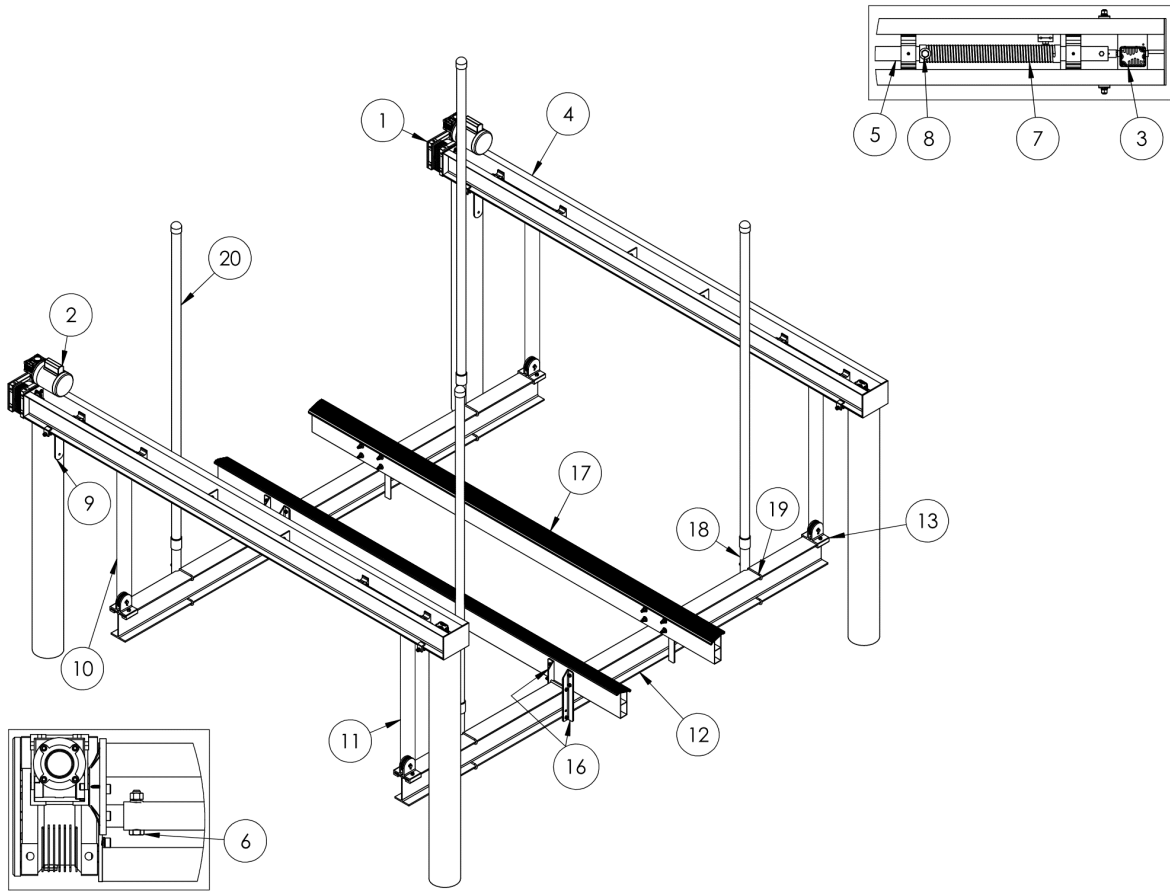
Cradle

12	B 9006	9,000 LB Complete Cradle w/ Alum Bunks (Pulleys, Bunks, Brackets, Guide Poles, Weights w/ all Hardware)
13	PC-0027	Pulley Extrusion (9K 4-Pole & 7K BHL) w/ Hardware (1/2" x 2" SS Bolt, LW & Nut) x 2 (No Axle Shaft or Cotter Pin)
N/A	PC-0009	4" Aluminum Pulley, 3/4" x 2-3/8" D-Shaped Axle Shaft & Cotter Pin
14	PC-0017	3/4" x 2-3/8" Stainless D-Shaped Axle Shaft w/ Grease Fitting and Cotter Pin, For Pulley Extrusions
15	PC-0015	4" Aluminum Pulley (each), No Hardware
16	PC-0001	Bunk Bracket 1,500 LB - 9,000 LB Lift (1 LH & RH Bracket) w/ Hardware (1/2" x 5-1/2" SS Bolt, LW, Nut) x 2
17	AC-1084	2.7" x 8" x 12ft Aluminum Cradle Bunk (each) w/ Vinyl Pad (Not Drilled, 3,000LB to 13,000LB)
N/A	PC-0021	Hw Box For 15K-24K Alum Bunks & Piling Strap/Mount (½" 4" SS Bolt, FW, LW & Nut) x 8, (1/2" x 2" Lag Bolts) x 8

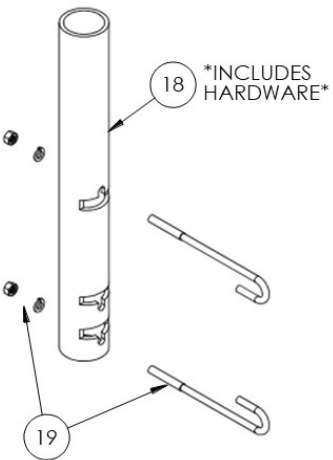
Guide Post

18	PS-0032	Guide Pipe For 1,500LB-9,000LB LIFT (each) w/Hardware (3/8"-16 x 6-7/8" SS J-Bolt, LW & Nut) x 2
19	PC-0018	Fastener Kit For Guide Pipe on 1,500 LB - 9,000 LB (1 pipe) (3/8" x 6-7/8" SS J-Bolt, LW & Nut) x 2
20	PC-0006	10ft PVC For 4 Piling Lift (each)
N/A	PC-0004	40" Guide Post Weight (each)

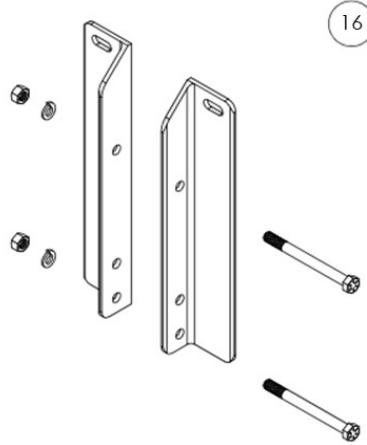
10,000 LB 4 Pole



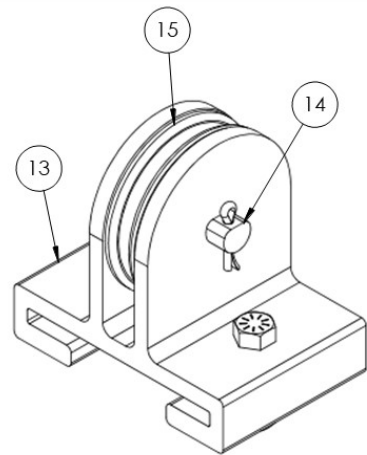
NOTE: A325 BOLT **MUST** BE USED



GUIDE PIPE ASSEMBLY



BUNK BRACKET ASSEMBLY



PULLEY EXTRUSION ASSEMBLY

Complete Lift

N/A	B 10000-DD	10,000 LB Four Piling Lift Complete W/ ALUMINUM BUNKS & Gear Drive
N/A	B-10001-DD	10,000 LB Four Piling Lift W / Smart Sings (UP TO 16') & Gear Drive

Drive Unit

1	C-1072c	Tide Tamer 40/75 Gear Dr w/ Face Plate, Mounting HW/1eaA325 .50-20 X 3.25" Galv Drive Pipe Bolt / SS LW & Nut
---	---------	---

Motor & Wiring Harnesses

2	C-1057	Tide Tamer 3/4 HP Stainless C-Face Motor w/ Mounting Hardware (3/8" x 1" SS Bolt, FW & LW) x 4
2	AB-0049	3/4 HP SS C-Face Motor w/ 10ft Wiring Harness, Maintain Switch, GFCI, 110V Plug & H(3/8"x1" SS Bolt, FW, & LW)x4
2	AB-0050	
N/A	C-1022	10ft Wiring Harness w/ Maintain Switch, GFCI w/ 110V Plug
N/A	C-1023	50ft Wiring Harness w/ Maintain Switch, GFCI w/ 110V Plug

Electrical, Remotes & Limit Switches

N/A	C-1029	TEC II Remote Control
N/A	C-1032	TEC II A/C Remote Control Unit Auto Stop (Limit Switch Sold Separately)
N/A	C-1036	TEC Remote Transmitter (Old Style - Square)
N/A	C-1064	TEC Remote Transmitter Tear Drop (New Style)
3	C-1034	Rotary Limit Switch w/ Wire (30ft 18/3) & Hardware (3/8" x 3" SS Bolt, LW & Nut) & (8-32 x 3/4" SS PH Screw) x 2
N/A	C-1035	Flat Plate Limit Switch w/ Wire (10ft 18/3) & Hardware (3/8" x 3" SS Bolt, LW & Nut) & (8-32 x 3/4" SS PH Screw) x 2
N/A	C-1028	GFCI R.A. Compact 14/3 AWG Assembly
N/A	C-1026	SJT 12/5 Electric Motor Cable (PER FT, Min 10ft)

Top Beam

4	B 10003-DD	10K Top Beam Assem ea(No Direct Gear Drive or Motor) wSS Cable & Tide Tamer #8 HW Pkg (1/2"x2"SS Lag Screws) x 8
4	B 10003	10K Top Beam Assem ea(No Hatteras Drive or Motor)/wSS Cable & Tide Tamer #8 HW Pkg (1/2"x2"SS Lag Screws) x 8
5	MH-2224	1-1/2" Galv Drive Pipe x 141" length (for 5K - 16K Direct Gear Drive 4-Pole Lifts)
6	PC-0020	A325 Drive Pipe Bolt 1/2"-13 x 3-1/4" Galv Bolt w/ Galv Lock Nut
7	PT-0014	19" Standard Cable Winder (each)
7	PT-0032	19" Deep Groove Cable Winder (each)
7	AC-2077	Upgrade to Deep Groove Cable Winders (Set of 4)
N/A	MH-2171	Top Beam Cable Keeper (each) w/ Hardware (#8 x 3/4" TEK Screw) x 4
8	CS-0020	5/8" x 3-1/4" SS Cable Bolt (each) w/ Nylon Nut
9	PM-0023	Piling Strap Assembly (1) w/ Blocks (2) and Block Hardware (1/2" SS LW and 1/2" Galv Nut) x2
10	PT-0024	5/16" X 34-1/2ft SS Cable Cut (9k-16k Front Cable)
11	PT-0025	5/16" X 35ft SS Cable Cut (9k-16k Rear Cable)
N/A	PT-0035	Lengthen the cradle drop by 5ft on a 9K-16K 4 Pole lift (each of the 4 cables are made 10 foot longer)
N/A	PT-0007	5/16" SS Cable Per FT

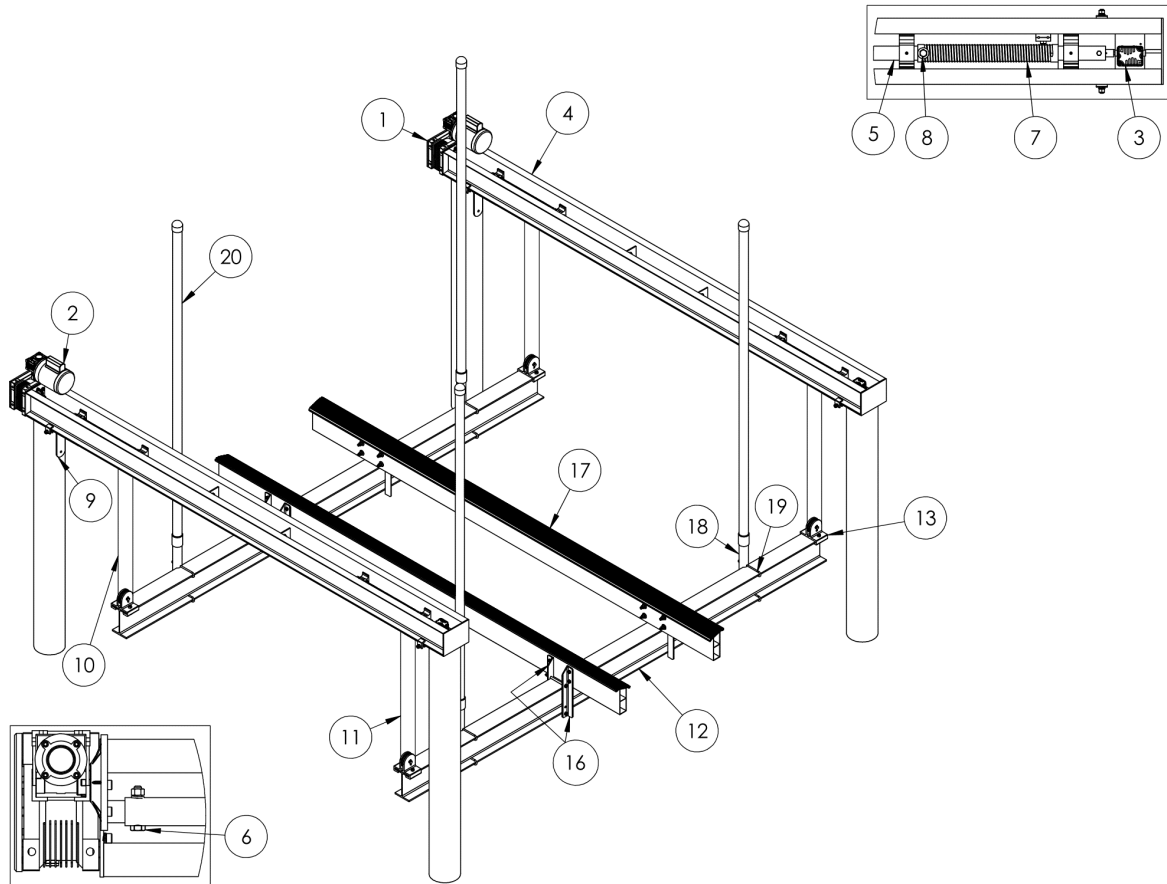
Cradle

12	B 10006	10,000 LB Complete Cradle w/ Alum Bunks (Pulleys, Bunks, Brackets, Guide Poles, Weights w/ all Hardware)
13	PC-0011	Pulley Extrusion (10K - 13K) w/ Hardware (1/2" x 2" SS Bolt, LW & Nut) x 2 (No Roller, Axle Shaft or Cotter Pin)
N/A	PC-0009	4" Aluminum Pulley, 3/4" x 2-3/8" D-Shaped Axle Shaft & Cotter Pin
14	PC-0017	3/4" x 2-3/8" Stainless D-Shaped Axle Shaft w/ Grease Fitting and Cotter Pin, For Pulley Extrusions
15	PC-0015	4" Aluminum Pulley (each), No Hardware
16	PS-0014	Bunk Bracket 10,000LB - 13,000LB Lift (1 LH & RH Bracket) w/ Hardware (1/2" x 7" SS Bolt, LW, Nut) x 2
17	AC-1084	2.7" x 8" x 12ft Aluminum Cradle Bunk (each) w/ Vinyl Pad (Not Drilled, 3,000LB to 13,000LB)
N/A	PC-0021	HW Box For 15K-24K Alum Bunks & Piling Strap/Mount (1/2" x 4" SS Bolt, FW, LW & Nut) x 8, (1/2"x2" Lag Bolts) x 8

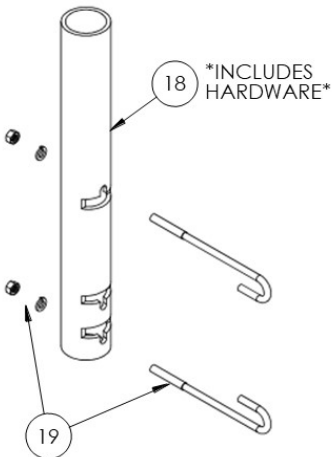
Guide Post

18	PS-0017	Guide Pipe For 10,000LB-13,000LB LIFT (each) w/ Hardware (3/8"-16 x 7-7/8" SS J-Bolt, LW & Nut) x 2
19	PC-0016	Fastener Kit For Guide Pipe on 10k - 13k (1 pipe) (3/8" x 7-7/8" SS J-Bolt, LW & Nut) x 2
20	PC-0006	10ft PVC For 4 Piling Lift (each)
N/A	PC-0004	40" Guide Post Weight (each)

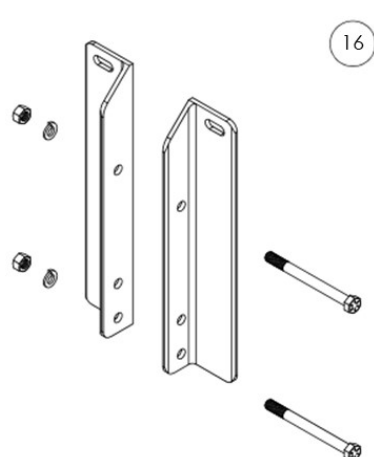
12,000 LB 4 Pole Lift



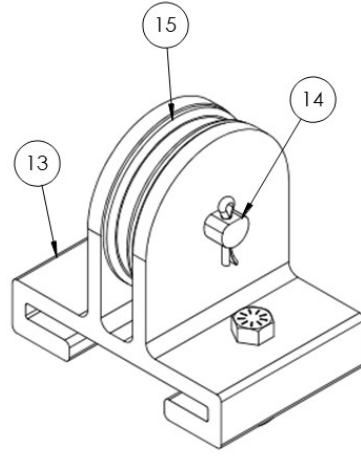
NOTE: A325 BOLT **MUST** BE USED



GUIDE PIPE ASSEMBLY



BUNK BRACKET ASSEMBLY



PULLEY EXTRUSION ASSEMBLY

Complete Lift

N/A	B 12000-DD	12,000 LB Four Piling Lift Complete W/ ALUMINUM BUNKS & Gear Drive
-----	------------	--

Drive Unit

1	C-1072c	Tide Tamer 40/75 Gear Drive w/ Face Plate, Mounting HW & 1 each A325 .50-20 X 3.25" Galv Drive Pipe Bolt w/ SS LW & Nut
---	---------	---

Motor & Wiring Harnesses

2	C-1057	Tide Tamer 3/4 HP Stainless C-Face Motor w/ Mounting Hardware (3/8" x 1" SS Bolt, FW & LW) x 4
2	AB-0049	3/4 HP SS C-Face Motor w/ 10ft Wiring Harness, Maintain Switch, GFCI, 110V Plug & HW(3/8" x 1" SS Bolt, FW&LW) 4
2	AB-0050	3/4 HP SS C-Face Motor w/ 50ft Wiring Harness, Maintain Switch, GFCI, 110V Plug & HW(3/8" x 1" SS Bolt, FW&LW) 4
N/A	C-1022	10ft Wiring Harness w/ Maintain Switch, GFCI w/ 110V Plug
N/A	C-1023	50ft Wiring Harness w/ Maintain Switch, GFCI w/ 110V Plug

Electrical, Remotes & Limit Switches

N/A	C-1029	TEC II Remote Control
N/A	C-1032	TEC II A/C Remote Control Unit Auto Stop (Limit Switch Sold Separately)
N/A	C-1036	TEC Remote Transmitter (Old Style - Square)
N/A	C-1064	TEC Remote Transmitter Tear Drop (New Style)
3	C-1034	Rotary Limit Switch w/ Wire (30ft 18/3) & Hardware (3/8" x 3" SS Bolt, LW & Nut) & (8-32 x 3/4" SS PH Screw) x 2
N/A	C-1035	Flat Plate Limit Switch w/ Wire (10ft 18/3) & Hardware (3/8" x 3" SS Bolt, LW & Nut) & (8-32 x 3/4" SS PH Screw) x 2
N/A	C-1028	GFCI R.A. Compact 14/3 AWG Assembly
N/A	C-1026	SJT 12/5 Electric Motor Cable (PER FT, Min 10ft)

Top Beam

4	B 12003-DD	12K Top Beam Assem ea (No Direct Gear Drive or Motor)SS Cable & Tide Tamer#8 HW Pkg(1/2"2"SS Lag Screw)x8
5	MH-2224	1-1/2" Galv Drive Pipe x 141" length (for 5K - 16K Direct Gear Drive 4-Pole Lifts)
6	PC-0020	A325 Drive Pipe Bolt 1/2"-13 x 3-1/4" Galv Bolt w/ Galv Lock Nut
7	PT-0014	19" Standard Cable Winder (each)
7	PT-0032	19" Deep Groove Cable Winder (each)
7	AC-2077	Upgrade to Deep Groove Cable Winders (Set of 4)
N/A	MH-2171	Top Beam Cable Keeper (each) w/ Hardware (#8 x 3/4" TEK Screw) x 4
8	CS-0020	5/8" x 3-1/4" SS Cable Bolt (each) w/ Nylon Nut
9	PM-0023	Piling Strap Assembly (1) w/ Blocks (2) and Block Hardware (1/2" SS LW and 1/2" Galv Nut) x2
10	PT-0024	5/16" X 34-1/2ft SS Cable Cut (9k-16k Front Cable)
11	PT-0025	5/16" X 35ft SS Cable Cut (9k-16k Rear Cable)
N/A	PT-0035	Lengthen the cradle drop by 5ft on a 9K-16K 4 Pole lift (each of the 4 cables are made 10 foot longer)
N/A	PT-0007	5/16" SS Cable Per FT

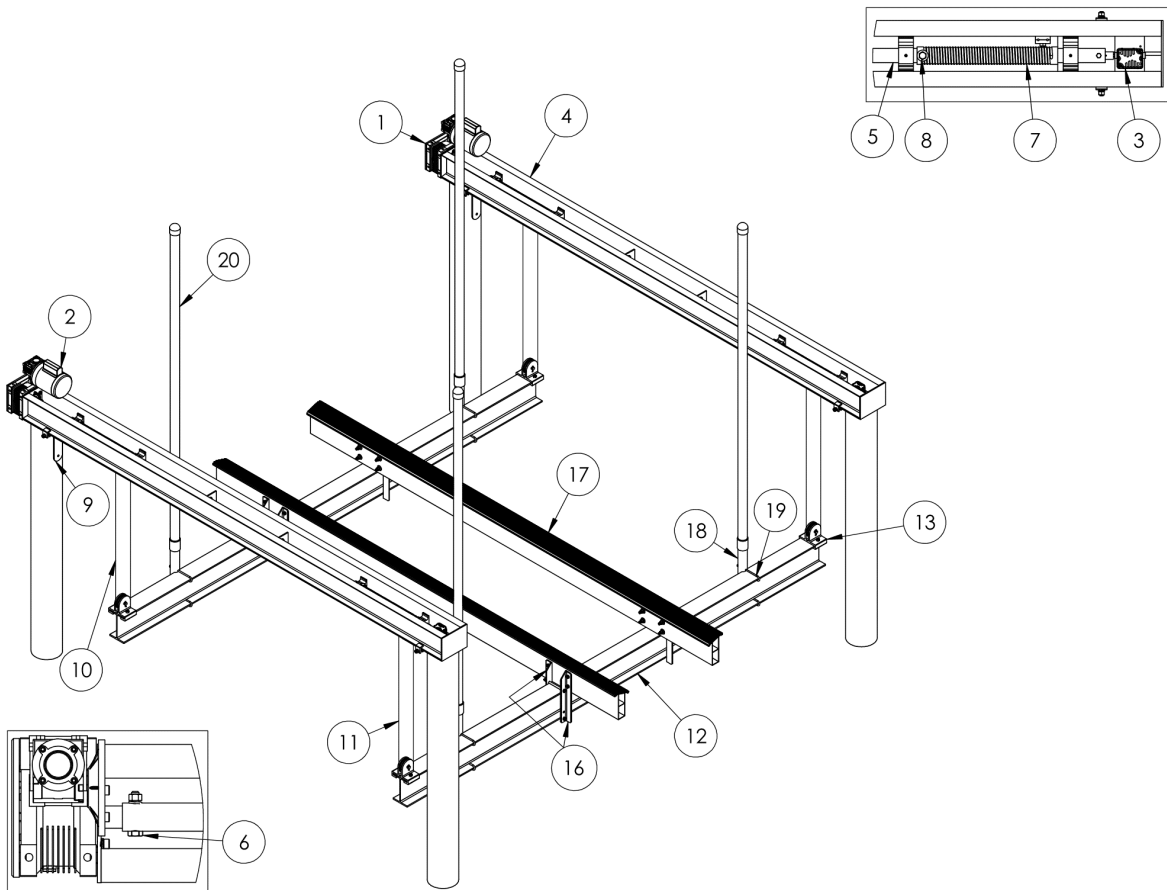
Cradle

12	B 12006	12,000 LB Complete Cradle w/ Alum Bunks (Pulleys, Bunks, Brackets, Guide Poles, Weights w/ all Hardware)
13	PC-0011	Pulley Extrusion (10K - 13K) w/ Hardware (1/2" x 2" SS Bolt, LW & Nut) x 2 (No Roller, Axle Shaft or Cotter Pin)
N/A	PC-0009	4" Aluminum Pulley, 3/4" x 2-3/8" D-Shaped Axle Shaft & Cotter Pin
14	PC-0017	3/4" x 2-3/8" Stainless D-Shaped Axle Shaft w/ Geese Fitting and Cotter Pin, For Pulley Extrusions
15	PC-0015	4" Aluminum Pulley (each), No Hardware
16	PS-0014	Bunk Bracket 10,000LB - 13,000LB Lift (1 LH & RH Bracket) w/ Hardware (1/2" x 7" SS Bolt, LW, Nut) x 2
17	AC-1084	2.7" x 8" x 12ft Aluminum Cradle Bunk (each) w/ Vinyl Pad (Not Drilled, 3,000LB to 13,000LB)
N/A	PC-0021	Hardware Box For 1,500LB - 24,000LB Alum Bunks & Piling Strap/Mount (1/2" x 4" SS Bolt, FW, LW & Nut) x 8, (1/2" x 2" Lag Bolts) x 8

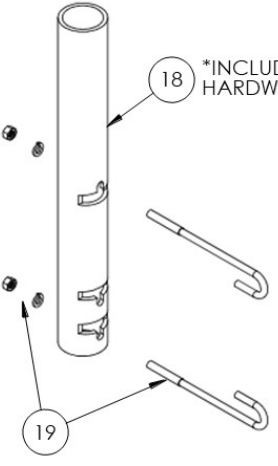
Guide Post

18	PS-0017	Guide Pipe For 10,000LB-13,000LB LIFT (each) w/ Hardware (3/8"-16 x 7-7/8" SS J-Bolt, LW & Nut) x 2
19	PC-0016	Fastener Kit For Guide Pipe on 10k - 13k (1 pipe) (3/8" x 7-7/8" SS J-Bolt, LW & Nut) x 2
20	PC-0006	10ft PVC For 4 Piling Lift (each)
N/A	PC-0004	40" Guide Post Weight (each)

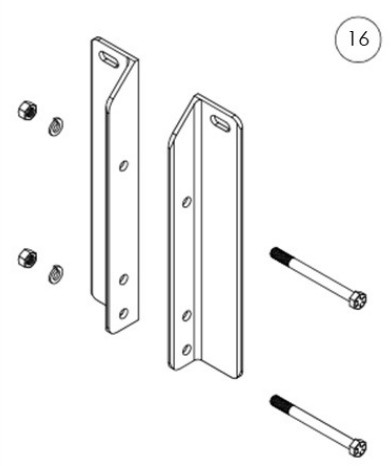
13,000 LB 4 Pole Lift



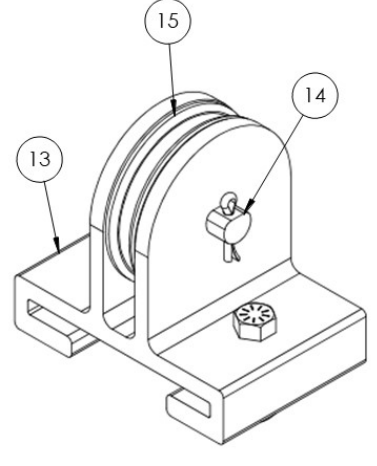
NOTE: A325 BOLT **MUST** BE USED



GUIDE PIPE ASSEMBLY



BUNK BRACKET ASSEMBLY



PULLEY EXTRUSION ASSEMBLY

Complete Lift

N/A	B 13000-DD	13,000 LB Four Piling Lift Complete W/ ALUMINUM BUNKS & Gear Drive
N/A	B 13001-DD	13,000 LB Four Piling Lift W / Smart Sings (UP TO 16') & Gear Drive

Drive Unit

1	C-1072	Tide Tamer 40/90 Gear Drive w/ Face Plate, Mounting HW&1 eaA325 .50-20x3.25" Galv Dr Pipe Bolt w SS LW & Nut
---	--------	--

Motor & Wiring Harnesses

2	C-1058	Tide Tamer 1 HP Stainless C-Face Motor w/ Mounting Hardware (3/8" x 1" SS Bolt, FW & LW) x 4
2	AB-0051	1 HP SS C-Face Motor w/10ft Wiring Harness,Maintain Switch,GFCI,110V Plug & HW (3/8" x 1" SS Bolt, FW, & LW)x 4
2	AB-0052	1 HP SS C-Face Motor w/50ft Wiring Harness,Maintain Switch,GFCI,110V Plug & HW (3/8" x 1" SS Bolt, FW & LW)x 4
N/A	C-1022	10ft Wiring Harness w/ Maintain Switch, GFCI w/ 110V Plug
N/A	C-1023	50ft Wiring Harness w/ Maintain Switch, GFCI w/ 110V Plug

Electrical, Remotes & Limit Switches

N/A	C-1029	TEC II Remote Control
N/A	C-1032	TEC II A/C Remote Control Unit Auto Stop (Limit Switch Sold Separately)
N/A	C-1036	TEC Remote Transmitter (Old Style - Square)
N/A	C-1064	TEC Remote Transmitter Tear Drop (New Style)
3	C-1034	Rotary Limit Switch w/ Wire (30ft 18/3) & Hardware (3/8" x 3" SS Bolt, LW & Nut) & (8-32 x 3/4" SS PH Screw) x 2
N/A	C-1035	Flat Plate Limit Switch w/ Wire (10ft 18/3) & Hardware (3/8" x 3" SS Bolt, LW & Nut) & (8-32 x 3/4" SS PH Screw) x 2
N/A	C-1028	GFCI R.A. Compact 14/3 AWG Assembly
N/A	C-1026	SJT 12/5 Electric Motor Cable (PER FT, Min 10ft)

Top Beam

4	B 13003-DD	13K Top Beam Assem ea (No Direct Gear Drive or Motor) w/SS Cable & Tide Tamer #8 HW Pkg(1/2"x2" SS Lag) x8
4	B 13003	13K Top Beam Assem ea (No Hatteras Drive or Motor) w/ SS Cable & Tide Tamer #8 HW Pkg(1/2"x2" SS Lag) x8
5	MH-2224	1-1/2" Galv Drive Pipe x 141" length (for 5K - 16K Direct Gear Drive 4-Pole Lifts)
6	PC-0020	A325 Drive Pipe Bolt 1/2"-13 x 3-1/4" Galv Bolt w/ Galv Lock Nut
7	PT-0014	19" Standard Cable Winder (each)
7	PT-0032	19" Deep Groove Cable Winder (each)
7	AC-2077	Upgrade to Deep Groove Cable Winders (Set of 4)
N/A	MH-2171	Top Beam Cable Keeper (each) w/ Hardware (#8 x 3/4" TEK Screw) x 4
8	CS-0020	5/8" x 3-1/4" SS Cable Bolt (each) w/ Nylon Nut
9	PM-0023	Piling Strap Assembly (1) w/ Blocks (2) and Block Hardware (1/2" SS LW and 1/2" Galv Nut) x2
10	PT-0024	5/16" X 34-1/2ft SS Cable Cut (9k-16k Front Cable)
11	PT-0025	5/16" X 35ft SS Cable Cut (9k-16k Rear Cable)
N/A	PT-0035	Lengthen the cradle drop by 5ft on a 9K-16K 4 Pole lift (each of the 4 cables are made 10 foot longer)
N/A	PT-0007	5/16" SS Cable Per FT

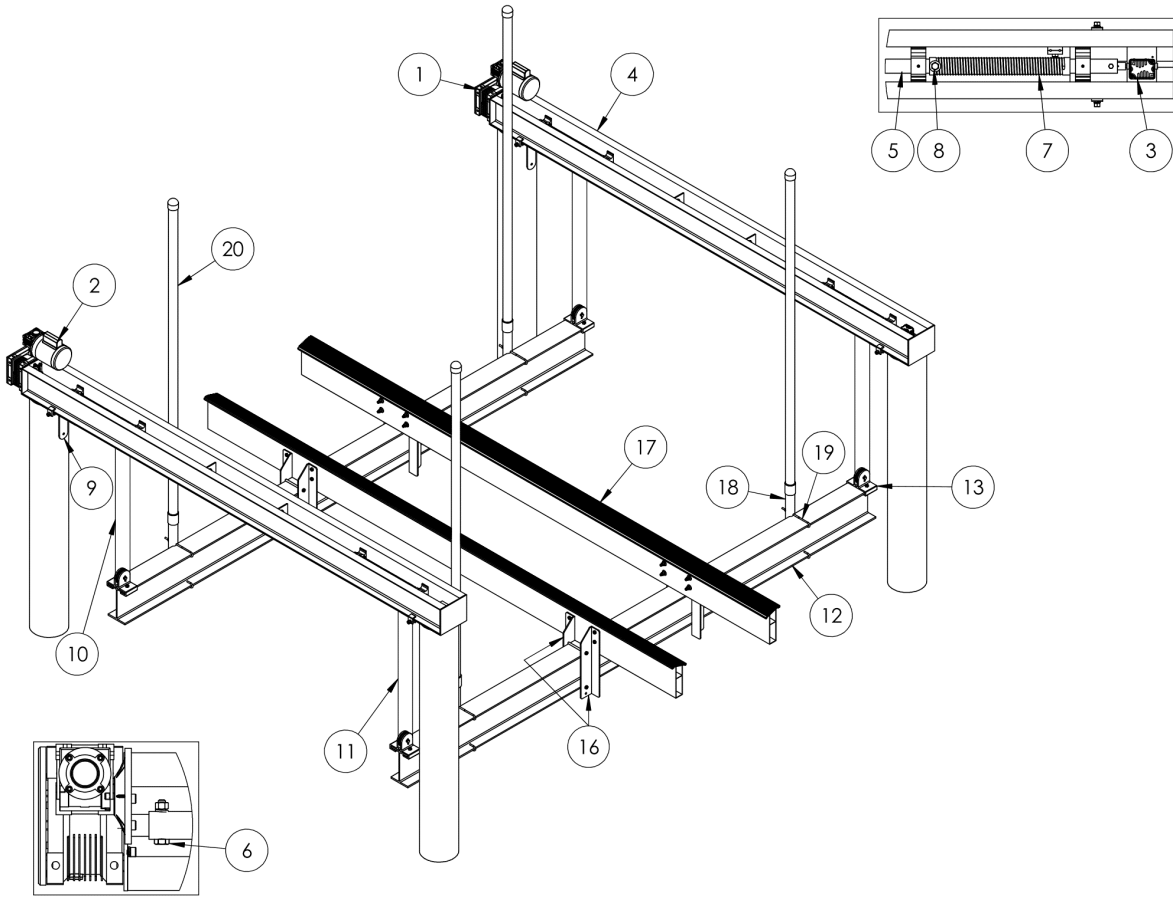
Cradle

12	B 13006	13,000 LB Complete Cradle w/ Alum Bunks (Pulleys, Bunks, Brackets, Guide Poles, Weights w/ all Hardware)
13	PC-0011	Pulley Extrusion (10K - 13K) w/ Hardware (1/2" x 2" SS Bolt, LW & Nut) x 2 (No Roller, Axle Shaft or Cotter Pin)
N/A	PC-0009	4" Aluminum Pulley, 3/4" x 2-3/8" D-Shaped Axle Shaft & Cotter Pin
14	PC-0017	3/4" x 2-3/8" Stainless D-Shaped Axle Shaft w/ Grease Fitting and Cotter Pin, For Pulley Extrusions
15	PC-0015	4" Aluminum Pulley (each), No Hardware
16	PS-0014	Bunk Bracket 10,000LB - 13,000LB Lift (1 LH & RH Bracket) w/ Hardware (1/2" x 7" SS Bolt, LW, Nut) x 2
17	AC-1084	2.7" x 8" x 12ft Aluminum Cradle Bunk (each) w/ Vinyl Pad (Not Drilled, 3,000LB to 13,000LB)
N/A	PC-0021	HW Box For 15K-24K Alum Bunks & Piling Strap/Mount (1/2" x 4" SS Bolt,FW, LW & Nut) x 8, (1/2"x2" Lag Bolts) x 8

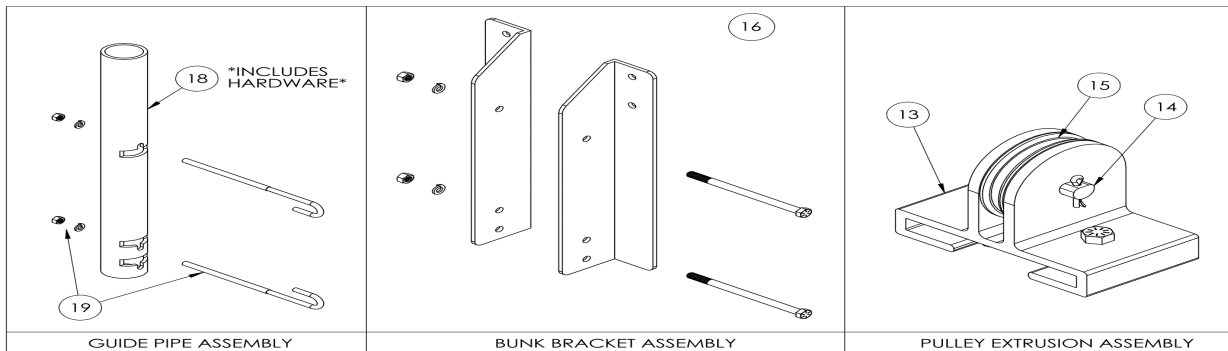
Guide Post

18	PS-0017	Guide Pipe For 10,000LB-13,000LB LIFT (each) w/ Hardware (3/8"-16 x 7-7/8" SS J-Bolt, LW & Nut) x 2
19	PC-0016	Fastener Kit For Guide Pipe on 10k - 13k (1 pipe) (3/8" x 7-7/8" SS J-Bolt, LW & Nut) x 2
20	PC-0006	10ft PVC For 4 Piling Lift (each)
N/A	PC-0004	40" Guide Post Weight (each)

16,000 LB 4 Pole Lift



NOTE: A325 BOLT **MUST** BE USED



Complete Lift

N/A	B 16000-DD	16,000 LB Four Piling Lift Complete W/ ALUMINUM BUNKS & Gear Drive
N/A	B 16001-DD	16,000 LB Four Piling Lift W / Smart Sings (UP TO 16') & Gear Drive

Drive Unit

1	C-1072	Tide Tamer 40/90 Gear Dr w/ Face Plate, Mounting HW & 1 ea A325 .50-20x3.25" Galv Drive Pipe Bolt w SS LW & Nut
---	--------	---

Motor & Wiring Harnesses

2	C-1058	Tide Tamer 1 HP Stainless C-Face Motor w/ Mounting Hardware (3/8" x 1" SS Bolt, FW & LW) x 4
2	AB-0051	1 HP SS C-Face Motor w/ 10ft Wiring Harness, Maintain Switch, GFCI, 110V Plug & HW (3/8"x1" SS Bolt, FW & LW)x4
2	AB-0052	1 HP SS C-Face Motor w/ 50ft Wiring Harness, Maintain Switch, GFCI, 110V Plug & HW (3/8"x1" SS Bolt, FW & LW)x4
N/A	C-1022	10ft Wiring Harness w/ Maintain Switch, GFCI w/ 110V Plug
N/A	C-1023	50ft Wiring Harness w/ Maintain Switch, GFCI w/ 110V Plug

Electrical, Remotes & Limit Switches

N/A	C-1029	TEC II Remote Control
N/A	C-1032	TEC II A/C Remote Control Unit Auto Stop (Limit Switch Sold Separately)
N/A	C-1036	TEC Remote Transmitter (Old Style - Square)
N/A	C-1064	TEC Remote Transmitter Tear Drop (New Style)
3	C-1034	Rotary Limit Switch w/ Wire (30ft 18/3) & Hardware (3/8" x 3" SS Bolt, LW & Nut) & (8-32 x 3/4" SS PH Screw) x 2
N/A	C-1035	Flat Plate Limit Switch w/ Wire (10ft 18/3) & Hardware (3/8" x 3" SS Bolt, LW & Nut) & (8-32 x 3/4" SS PH Screw) x 2
N/A	C-1028	GFCI R.A. Compact 14/3 AWG Assembly
N/A	C-1026	SJT 12/5 Electric Motor Cable (PER FT, Min 10ft)

Top Beam

4	B 16003-DD	16K Top Beam Assem ea (No Direct Gear Dr or Motor)w/ SS Cable & Tide Tamer#8 HW Pkg (1/2"x2"SS Lag Screw)x8
4	B 16003	16K Top Beam Assem ea (No Hatteras Dr or Motor)w/ SS Cable & Tide Tamer#8 Hw Pkg (1/2"x2" SS Lag Screws) x8
5	MH-2224	1-1/2" Galv Drive Pipe x 141" length (for 5K - 16K Direct Gear Drive 4-Pole Lifts)
6	PC-0020	A325 Drive Pipe Bolt 1/2"-13 x 3-1/4" Galv Bolt w/ Galv Lock Nut
7	PT-0014	19" Standard Cable Winder (each)
7	PT-0032	19" Deep Groove Cable Winder (each)
7	AC-2077	Upgrade to Deep Groove Cable Winders (Set of 4)
N/A	MH-2171	Top Beam Cable Keeper (each) w/ Hardware (#8 x 3/4" TEK Screw) x 4
8	CS-0020	5/8" x 3-1/4" SS Cable Bolt (each) w/ Nylon Nut
9	PM-0023	Piling Strap Assembly (1) w/ Blocks (2) and Block Hardware (1/2" SS LW and 1/2" Galv Nut) x2
10	PT-0024	5/16" X 34-1/2ft SS Cable Cut (9k-16k Front Cable)
11	PT-0025	5/16" X 35ft SS Cable Cut (9k-16k Rear Cable)
N/A	PT-0035	Lengthen the cradle drop by 5ft on a 9K-16K 4 Pole lift (each of the 4 cables are made 10 foot longer)
N/A	PT-0007	5/16" SS Cable Per FT

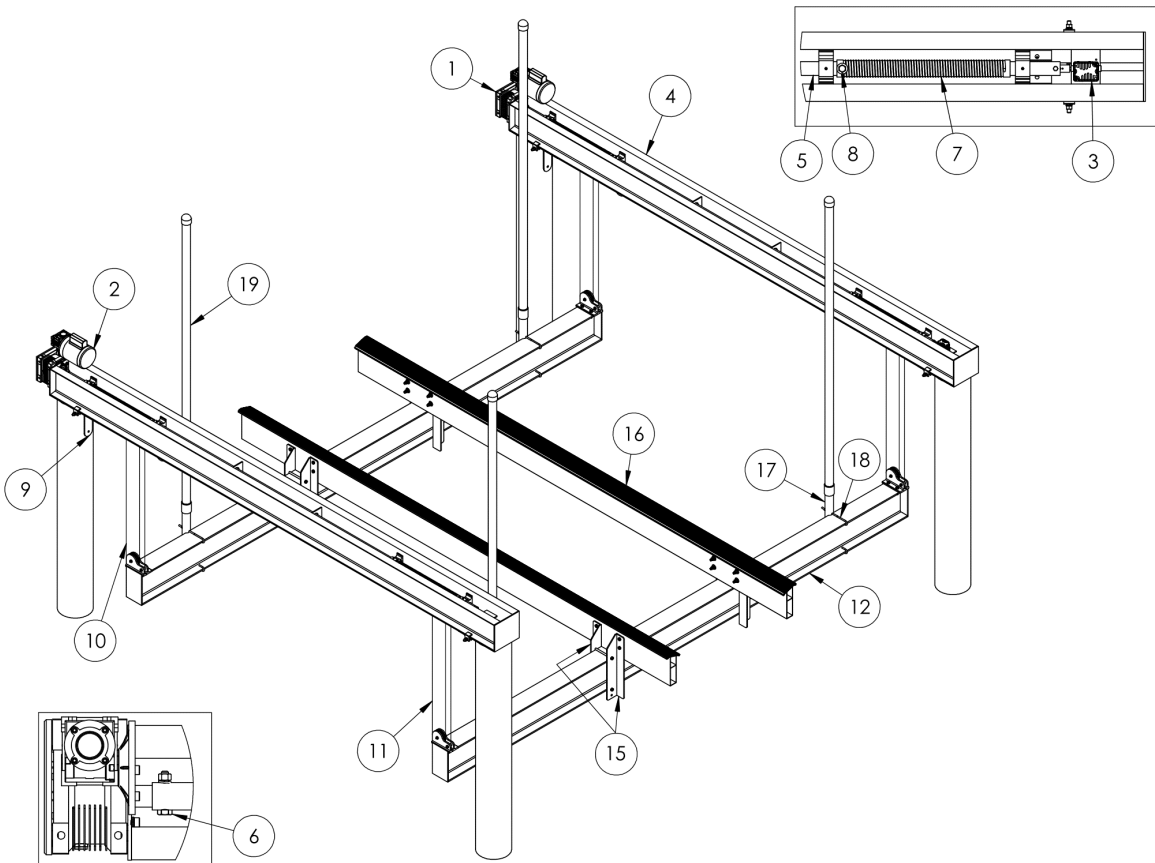
Cradle

12	B 16006	16,000 LB Complete Cradle w/ Alum Bunks (Pulleys, Bunks, Brackets, Guide Poles, Weights w/ all Hardware)
13	PC-0023	Pulley Extrusion (16K) w/ Hardware (1/2" x 2" SS Bolt, & Nut) x 2 (No Roller, Axle Shaft or Cotter Pin)
N/A	PC-0009	4" Aluminum Pulley, 3/4" x 2-3/8" D-Shaped Axle Shaft & Cotter Pin
14	PC-0017	3/4" x 2-3/8" Stainless D-Shaped Axle Shaft w/ Grease Fitting and Cotter Pin, For Pulley Extrusions
15	PC-0015	4" Aluminum Pulley (each), No Hardware
16	PC-0002	Bunk Bracket 16,000LB - 20,000LB Lift (1 LH & RH Bracket) w/ Hardware (1/2" x 8" SS Bolt, LW, Nut) x 2
17	AC-1086	2.7" x 10" x 14ft Aluminum Cradle Bunk (each) w/ Vinyl Pad
N/A	PC-0021	HW Box For 15K-24K Alum Bunks & Piling Strap/Mount (1/2"x4"SS Bolt,FW,LW & Nut) x 16, (1/2" x 2" Lag Bolts) x 8

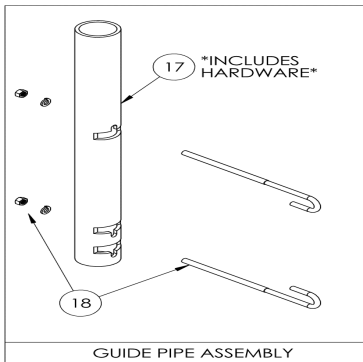
Guide Post

18	PC-0003	Guide Pipe For 16,000LB-24,000LB Lift (each) w/ Hardware (3/8"-16 x 9-7/8" SS J-Bolt, LW & Nut) x 2
19	PC-0024	Fastener Kit For 1 Guide Pipe on 16,000 LB - 24,000 LB Lift (3/8" x 9-7/8" SS J-Bolt, LW & Nut) x 2
20	PC-0006	10ft PVC For 4 Piling Lift (each)
N/A	PC-0004	40" Guide Post Weight (each)

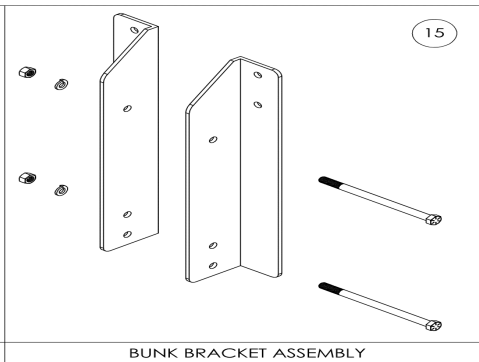
20,000 LB 4 Pole Lift



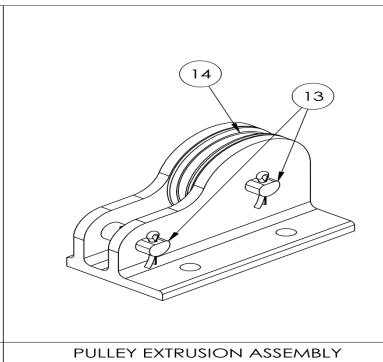
NOTE: A325 BOLT **MUST** BE USED



GUIDE PIPE ASSEMBLY



BUNK BRACKET ASSEMBLY



PULLEY EXTRUSION ASSEMBLY

Complete Lift

N/A	B 20000-DD	20,000 LB Four Piling Lift Complete W/ ALUMINUM BUNKS & Gear Drive
-----	------------	--

Drive Unit

1	C-1072	Tide Tamer 40/90 Gear Drive w/ Face Plate, Mounting Hardware & 1 each A325 .50-20 X 3.25" Galv Drive Pipe Bolt w/ SS LW & Nut
---	--------	---

Motor & Wiring Harnesses

2	C-1057	Tide Tamer 3/4 HP Stainless C-Face Motor w/ Mounting Hardware (3/8" x 1" SS Bolt, FW & LW) x 4
2	AB-0049	3/4 HP SS C-Face Motor w/ 10ft Wiring Harness, Maintain Switch, GFCI, 110V Plug & Hardware (3/8" x 1" SS Bolt, FW, & LW) x 4
2	AB-0050	3/4 HP SS C-Face Motor w/ 50ft Wiring Harness, Maintain Switch, GFCI, 110V Plug & Hardware (3/8" x 1" SS Bolt, FW & LW) x 4
N/A	C-1022	10ft Wiring Harness w/ Maintain Switch, GFCI w/ 110V Plug
N/A	C-1023	50ft Wiring Harness w/ Maintain Switch, GFCI w/ 110V Plug

Electrical, Remotes & Limit Switches

N/A	C-1029	TEC II Remote Control
N/A	C-1032	TEC II A/C Remote Control Unit Auto Stop (Limit Switch Sold Separately)
N/A	C-1036	TEC Remote Transmitter (Old Style - Square)
N/A	C-1064	TEC Remote Transmitter Tear Drop (New Style)
3	C-1034	Rotary Limit Switch w/ Wire (30ft 18/3) & Hardware (3/8" x 3" SS Bolt, LW & Nut) & (8-32 x 3/4" SS PH Screw) x 2
N/A	C-1035	Flat Plate Limit Switch w/ Wire (10ft 18/3) & Hardware (3/8" x 3" SS Bolt, LW & Nut) & (8-32 x 3/4" SS PH Screw) x 2
N/A	C-1028	GFCI R.A. Compact 14/3 AWG Assembly
N/A	C-1026	SJT 12/5 Electric Motor Cable (PER FT, Min 10ft)

Top Beam

4	B 20003-DD	Top Beam Cable Keeper (each) w/ Hardware (#8 x 3/4" TEK Screw) x 4
4	B 20003	20K Top Beam Assembly each (No Hatteras Drive or Motor) w/ SS Cable & Tide Tamer #8 Hardware Pkg (1/2" x 2" SS Lag Screws) x 8
5	MH-2347	1-1/2" Galv Drive Pipe x 161-1/4" length (for 20K - 24K Direct Gear Drive 4-Pole Lifts)
6	PC-0020	A325 Drive Pipe Bolt 1/2"-13 x 3-1/4" Galv Bolt w/ Galv Lock Nut
7	PT-0016	24" Standard Cable Winder (each)
7	PT-0033	24" Deep Groove Cable Winder (each)
7	AC-2077	Upgrade to Deep Groove Cable Winders (Set of 4)
N/A	MH-2171	Top Beam Cable Keeper (each) w/ Hardware (#8 x 3/4" TEK Screw) x 4
8	CS-0020	5/8" x 3-1/4" SS Cable Bolt (each) w/ Nylon Nut
9	PM-0023	Piling Strap Assembly (1) w/ Blocks (2) and Block Hardware (1/2" SS LW and 1/2" Galv Nut) x2
10	PT-0026	5/16" X 49-1/4ft SS Cable Cut (20k - 24k Front Cable)
11	PT-0027	5/16" X 50ft SS Cable Cut (20k - 24k Rear Cable)
N/A	PT-0036	Lengthen the cradle drop by 5ft on a 20K-24K 4 Pole lift (each of the 4 cables are made 15 foot longer)
N/A	PT-0007	5/16" SS Cable Per FT

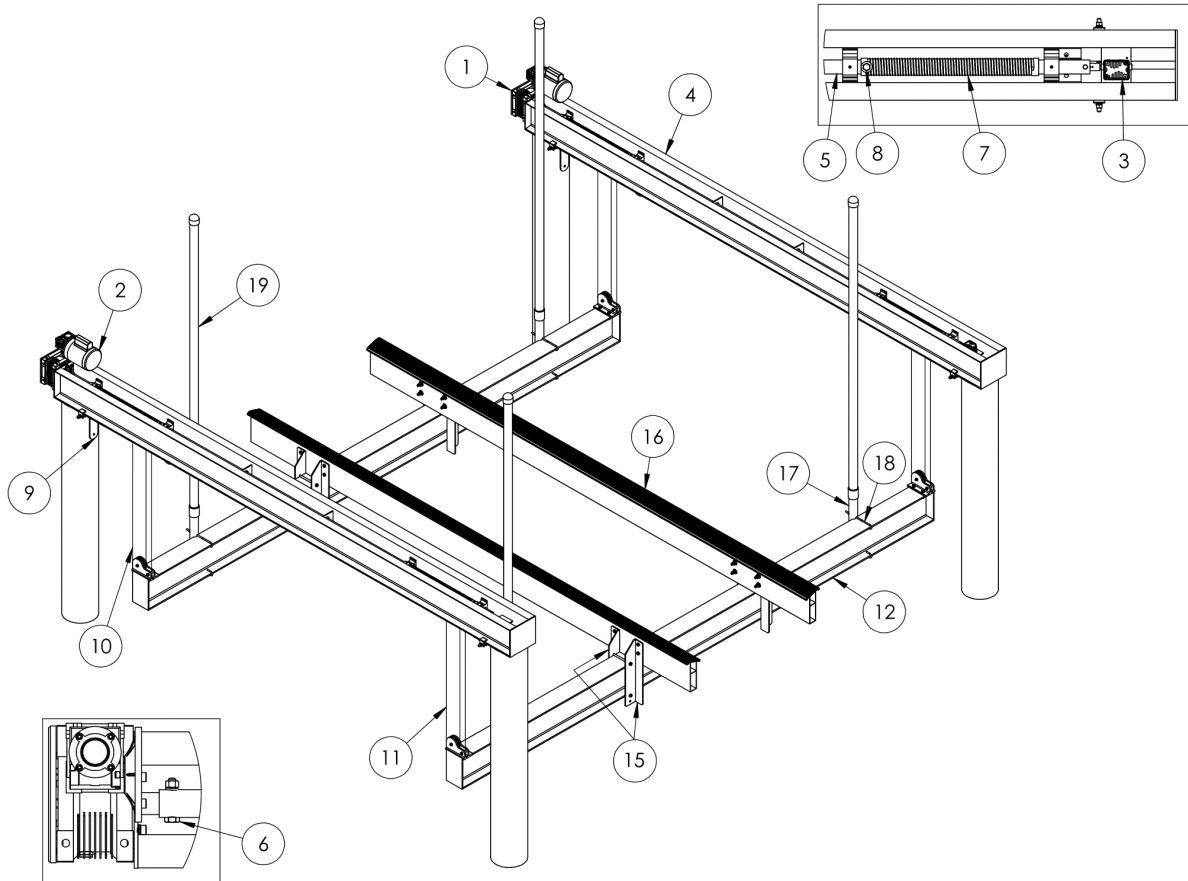
Cradle

12	B 20006	20,000 LB Complete Cradle w/ Alum Bunks (Pulleys, Bunks, Brackets, Guide Poles, Weights w/ all Hardware)
N/A	PC-0009	4" Aluminum Pulley, 3/4" x 2-3/8" D-Shaped Axle Shaft & Cotter Pin
13	PC-0017	3/4" x 2-3/8" Stainless D-Shaped Axle Shaft w/ Grease Fitting and Cotter Pin, For Pulley Extrusions
14	PC-0015	4" Aluminum Pulley (each), No Hardware
15	PC-0002	Bunk Bracket 16,000LB - 20,000LB Lift (1 LH & RH Bracket) w/ Hardware (1/2" x 8" SS Bolt, LW, Nut) x 2
16	AC-1086	2.7" x 10" x 14ft Aluminum Cradle Bunk (each) w/ Vinyl Pad
N/A	PC-0021	Hardware Box For 1,500LB - 24,000LB Alum Bunks & Piling Strap/Mount (1/2" x 4" SS Bolt, FW, LW & Nut) x 16, (1/2" x 2" Lag Bolts) x 8

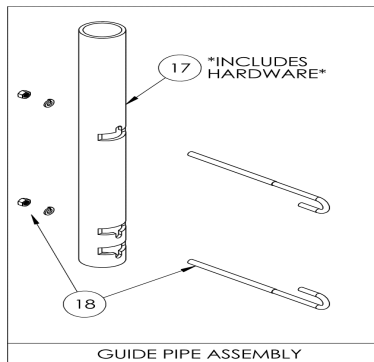
Guide Post

17	PC-0003	Guide Pipe For 16,000LB-24,000LB Lift (each) w/ Hardware (3/8"-16 x 9-7/8" SS J-Bolt, LW & Nut) x 2
18	PC-0024	Fastener Kit For 1 Guide Pipe on 16,000 LB - 24,000 LB Lift (3/8" x 9-7/8" SS J-Bolt, LW & Nut) x 2
19	PC-0006	10ft PVC For 4 Piling Lift (each)
N/A	PC-0005	80" Guide Post Weight (each) For 20K Lifts and Up

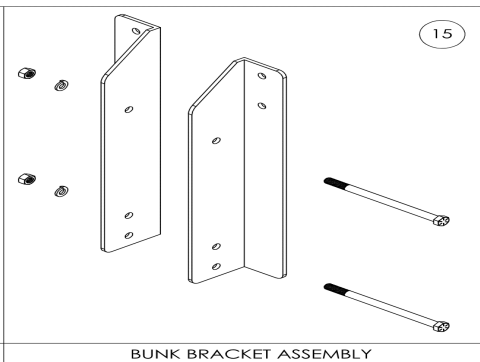
24,000 LB 4 Pole Lift



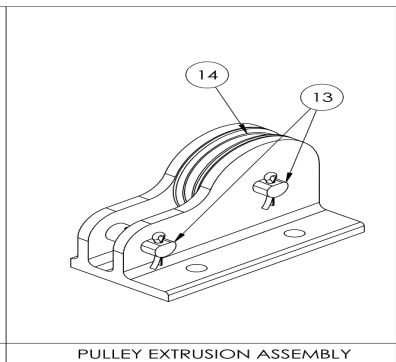
NOTE: A325 BOLT **MUST** BE USED



GUIDE PIPE ASSEMBLY



BUNK BRACKET ASSEMBLY



PULLEY EXTRUSION ASSEMBLY

Complete Lift

N/A	B24000-DD	24,000 LB Four Piling Lift Complete W/ ALUMINUM BUNKS & Gear Drive
-----	-----------	--

Drive Unit

1	C-1072	Tide Tamer 40/90 Gear Dr w/ Face Plate, Mounting HW & 1 ea A325 .50-20X3.25" Galv Drive Pipe Bolt w SS LW & Nut
---	--------	---

Motor & Wiring Harnesses

2	C-1058	Tide Tamer 1 HP Stainless C-Face Motor w/ Mounting Hardware (3/8" x 1" SS Bolt, FW & LW) x 4
2	AB-0051	1 HP SS C-Face Motor w/ 10ft Wiring Harness, Maintain Switch, GFCI, 110V Plug & HW (3/8"x1"SS Bolt, FW, & LW)x4
2	AB-0052	1 HP SS C-Face Motor w/ 50ft Wiring Harness, Maintain Switch, GFCI, 110V Plug & HW (3/8"x1"SS Bolt, FW & LW)x4
N/A	C-1022	10ft Wiring Harness w/ Maintain Switch, GFCI w/ 110V Plug
N/A	C-1023	50ft Wiring Harness w/ Maintain Switch, GFCI w/ 110V Plug

Electrical, Remotes & Limit Switches

N/A	C-1029	TEC II Remote Control
N/A	C-1032	TEC II A/C Remote Control Unit Auto Stop (Limit Switch Sold Separately)
N/A	C-1036	TEC Remote Transmitter (Old Style - Square)
N/A	C-1064	TEC Remote Transmitter Tear Drop (New Style)
3	C-1034	Rotary Limit Switch w/ Wire (30ft 18/3) & Hardware (3/8" x 3" SS Bolt, LW & Nut) & (8-32 x 3/4" SS PH Screw) x 2
N/A	C-1035	Flat Plate Limit Switch w/ Wire (10ft 18/3) & Hardware (3/8" x 3" SS Bolt, LW & Nut) & (8-32 x 3/4" SS PH Screw) x 2
N/A	C-1028	GFCI R.A. Compact 14/3 AWG Assembly
N/A	C-1026	SJT 12/5 Electric Motor Cable (PER FT, Min 10ft)

Top Beam

4	B24003-DD	24K Top Beam Assembly ea(No Direct Gear Dr or Motor)SS Cable & Tide Tamer #8 HW Pkg (1/2"x2"SS Lag screw)x8
4	B 24003	24K Top Beam Assembly ea(No Hatteras Dr or Motor)SS Cable,Tide Tamer#8 HW Pkg (1/2"x 2"SS Lag Screws) x 8
5	MH-2224	1-1/2" Galv Drive Pipe x 161-1/4" length (for 5K - 16K Direct Gear Drive 4-Pole Lifts)
6	PC-0020	A325 Drive Pipe Bolt 1/2"-13 x 3-1/4" Galv Bolt w/ Galv Lock Nut
7	PT-0016	24" Standard Cable Winder
7	PT-0033	24" Deep Groove Cable Winder
7	AC-2077	Upgrade to Deep Groove Cable Winders (Set of 4)
N/A	MH-2171	Top Beam Cable Keeper (each) w/ Hardware (#8 x 3/4" TEK Screw) x 4
8	CS-0020	5/8" x 3-1/4" SS Cable Bolt (each) w/ Nylon Nut
9	PM-0023	Piling Strap Assembly (1) w/ Blocks (2) and Block Hardware (1/2" SS LW and 1/2" Galv Nut) x2
10	PT-0026	5/16" X 49-1/4ft SS Cable Cut (20k - 24k Front Cable)
11	PT-0027	5/16" X 50ft SS Cable Cut (20k - 24k Rear Cable)
N/A	PT-0036	Lengthen the cradle drop by 5ft on a 20K-24K 4 Pole lift (each of the 4 cables are made 15 foot longer)
N/A	PT-0007	5/16" SS Cable Per FT

Cradle

12	B 24006	24,000 LB Complete Cradle w/ Alum Bunks (Pulleys, Bunks, Brackets, Guide Poles, Weights w/ all Hardware)
N/A	PC-0009	4" Aluminum Pulley, 3/4" x 2-3/8" D-Shaped Axle Shaft & Cotter Pin
13	PC-0017	3/4" x 2-3/8" Stainless D-Shaped Axle Shaft w/ Grease Fitting and Cotter Pin, For Pulley Extrusions
14	PC-0015	4" Aluminum Pulley (each), No Hardware
15	PC-0022	Bunk Bracket For 24,000LB Lift (1 LH & RH Bracket) w/ Hardware (1/2" x 9" SS Bolt, LW, Nut) x 2
16	AC-1086	2.7" x 10" x 14ft Aluminum Cradle Bunk (each) w/ Vinyl Pad
N/A	PC-0021	HW Box For 15K-24K Alum Bunks & Piling Strap/Mount (1/2"x 4" SS Bolt, FW, LW & Nut) x 16, (1/2" x 2" Lag Bolts) x 8

Guide Post

17	PC-0003	Guide Pipe For 16,000LB-24,000LB Lift (each) w/ Hardware (3/8"-16 x 9-7/8" SS J-Bolt, LW & Nut) x 2
18	PC-0024	Fastener Kit For 1 Guide Pipe on 16,000 LB - 24,000 LB Lift (3/8" x 9-7/8" SS J-Bolt, LW & Nut) x 2
19	PC-0006	10ft PVC For 4 Piling Lift (each)
N/A	PC-0005	80" Guide Post Weight (each) For 20K Lifts and Up